



# USER *Donner* MANUAL

**DIGITAL PIANO **DDP-60****

**Thank You for Choosing DONNER!**  
Please Read This Manual Carefully Before Use.



## CONTENTS

English .....	01-06
Français .....	07-12
Deutsch .....	12-18
Italiano .....	19-24
Español .....	25-30
日本語 .....	31-36
Demo Songs   Demonstration   Demonstration   Canzone demo   Demostración   デモ曲 .....	37
Voice   Timbres   Tontabelle   Tono   Timbres   トーンテーブル .....	37
Rhythm   Rythmes   Rhythm   Ritmo   Ritmos   リズムテーブル .....	38

## Welcome to Donner

We are very grateful to have you purchasing our product.

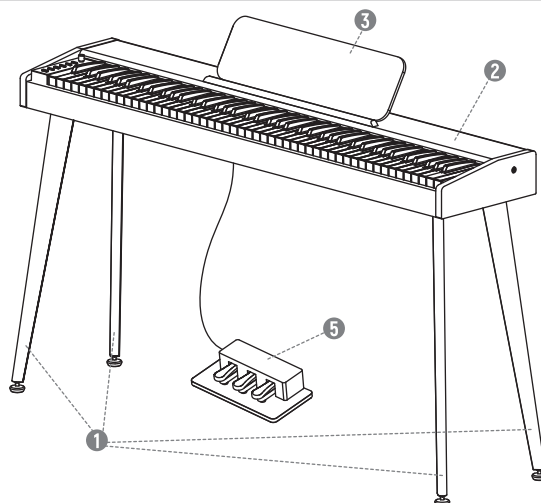
Please take a few minutes to read the instructions for operating this product, which will show you how to use it and explain the function and operation of the device, ensuring a trouble-free installation.

Please keep these operating instructions properly for future reference.

### PRODUCT LIST

Please confirm whether the product is in good condition and accessories are included.

Name	Quantity
① Piano Stand	4 PCS
② Piano Body	1 PC
③ Music Stand	1 PC
④ M6*14mm Screws	20 PCS
⑤ Triple-Pedal	1 PC
⑥ Power Adapter	1 PC
⑦ Manual	1 PC



### PRODUCT SPECIFICATIONS

Product Name		Donner 88 Key Portable Digital Piano	
Size/Weight	Product Size		136*35.8*76.4cm (53.5*14.09*30.08inch)
	Product Weight		18.5kg (40.8pound)
	Package Size		141*38.5*25cm (55.5*15.2*9.8inch)
	Package Weight		22kg (48.5pound)
Performance Control	Keyboard	Keys	88-key Semi-weighted keyboard
		Touch Response	Off/Soft/Standard/Hard/Default
Function	Polyphony	Polyphonies (Max)	128
	Double Keyboard		Support
	Split Timbre		Support
	Rhythms		83
	Tones		128
	Demo Songs		47
	Effects		Reverb (8 types, switchable & adjustable)
	Record Function		Support
	Metronomes	Type	6
Beat Speed		30 ~ 280	
Connecting Sockets	Power Socket		DC 12V 3A
	Headphone Socket		Support 6.35mm (1/4-inch)
	AUX OUT Socket		YES
	USB-MIDI Socket		YES
	Pedal Socket		YES
Sound System	Speaker output power		≥15Wx2
Specifications	Rated voltage		220-240V ~ (EU/UK) 120V (US)
	Rated frequency		50Hz (EU/UK) 60Hz (US)
	Rated power		1.0A Max
	Intonation		≤3 cent
	Range		A2 ~ C5

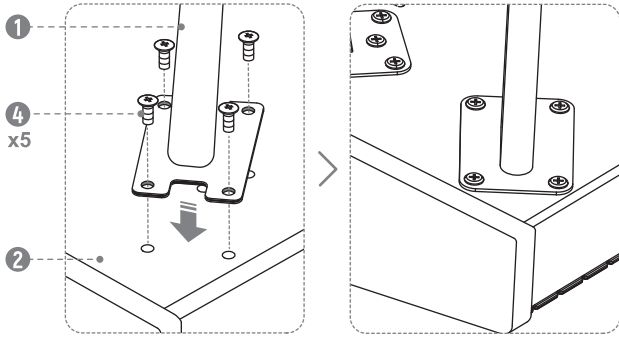
Attention: This product is electronic device and it's normal to hear some current noises in the speakers (one or two speakers, headphone) after power on. Keep away from interference sources including RF devices and equipment with motors, such as radios, routers, TVs, receivers, refrigerators, washing machines, etc.



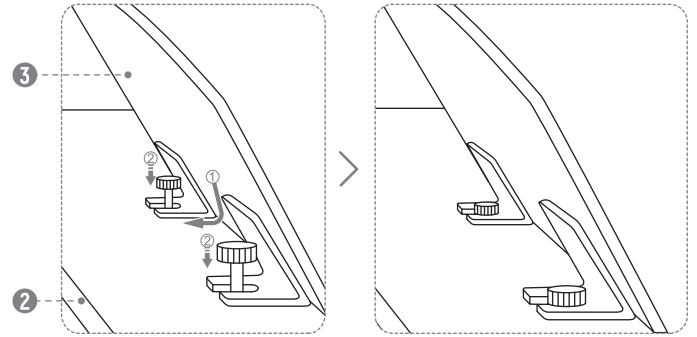
# INSTALLATION GUIDE

**!** Ensure that all parts are complete during installation.  
The owner and/or operator must read this installation contents before using the instrument.

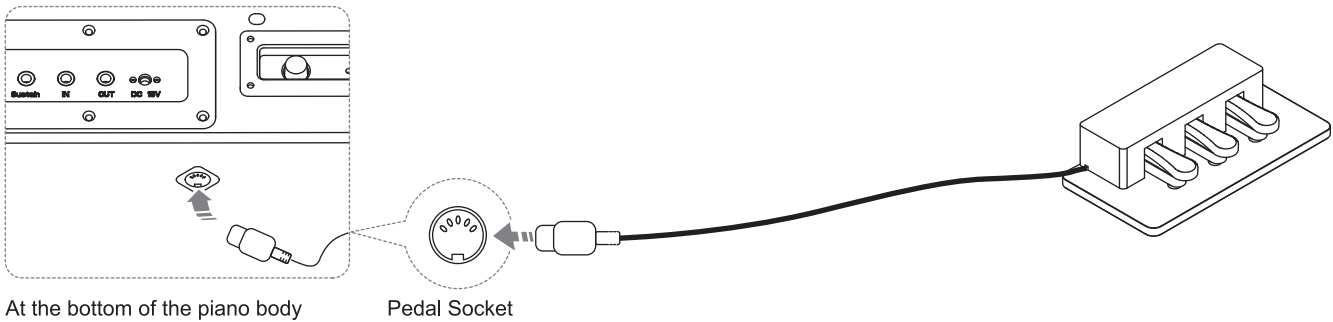
## 1. Piano stand installation



## 2. Music Stand Installation



## 3. Pedal socket installation



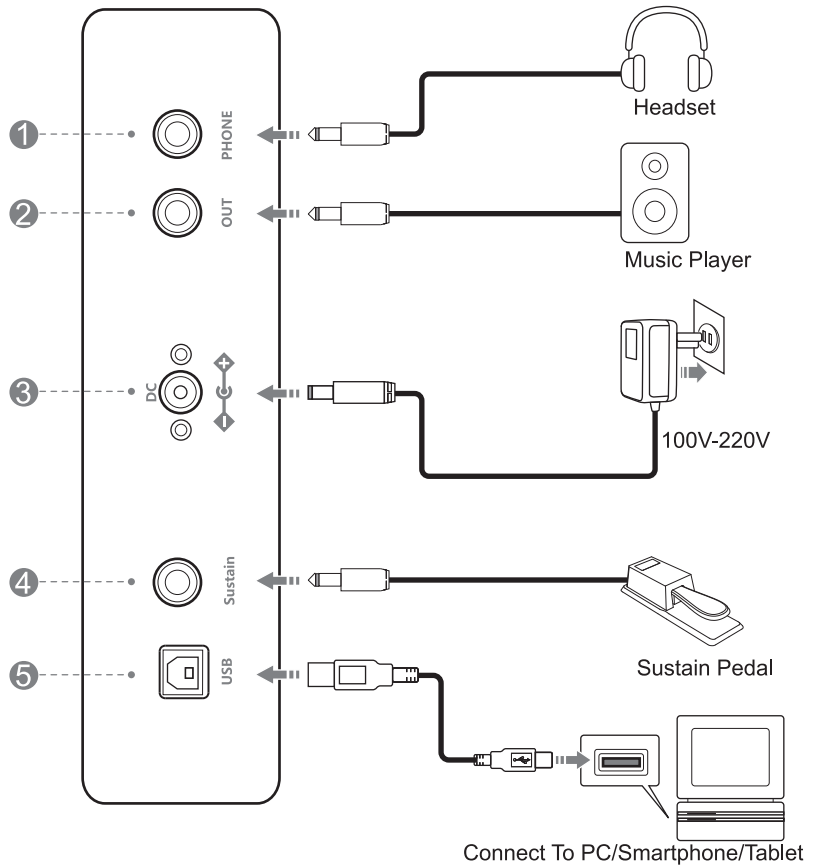
At the bottom of the piano body

Pedal Socket

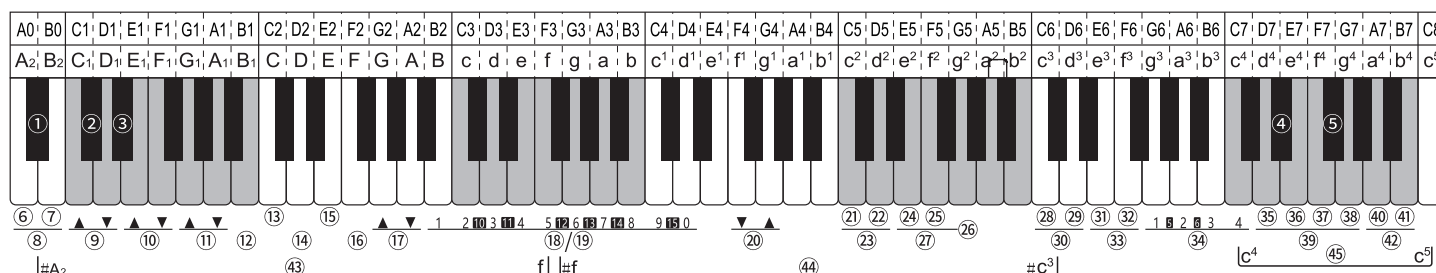
# PIANO SOCKET

## Back of piano

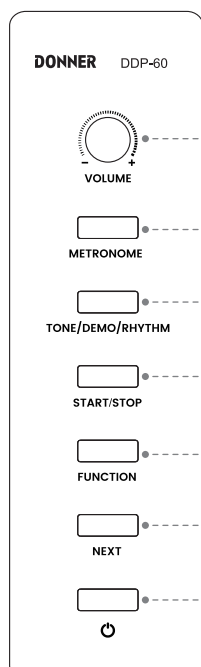
- 1 Headphone Port**  
The output of electronic keyboard built-in speakers will be automatically cut off when headphone is connected so as not disturb others when playing.
- 2 Audio Output Plug**  
The audio output port can support high-power speaker equipment.
- 3 Power Cord Connection**
  1. Follow the power cord connection shown in the figure when in use, connect one end to the power socket in the panel at the bottom of piano, and the other end to the 100V-220V household power socket.
  2. If the product will not be used for long, please unplug the power cord and keep in safe place.
- 4 Sustain Pedal**  
This product is equipped with sustain pedal. Please step on the pedal as needed when in use.
- 5 USB Port**  
The digital piano can be connected to computer through the USB port to learn or play the keyboard for performance, composition, storage and other functions by means of the pre-installed music software on the computer. The edited music and the built-in accompaniment of music software can be played on the digital piano by software connection or performed according to the accompaniment music.



# FUNCTION INTRODUCTION



- |                        |                   |                            |             |              |
|------------------------|-------------------|----------------------------|-------------|--------------|
| ① Number -             | ⑩ Octave          | ⑲ Number "Key"             | ⑳ On        | ㉟ Standard   |
| ② Sync Switch          | ⑪ Transposition   | ⑳ Brightness               | ㉑ Off       | ㉒ Hard       |
| ③ Intro/Ending         | ⑫ Memory Setting  | ㉑ On                       | ㉒ Reverb    | ㉓ Strength   |
| ④ Speed +              | ⑬ Settings 1      | ㉒ Off                      | ㉓ On        | ㉔ On         |
| ⑤ Speed -              | ⑭ Settings 2      | ㉓ Dual Tones               | ㉔ Off       | ㉕ Off        |
| ⑥ On                   | ⑮ Settings 3      | ㉔ On                       | ㉕ Chorus    | ㉖ Percussion |
| ⑦ Off                  | ⑯ Settings 4      | ㉕ On                       | ㉖ Metronome | ㉗ Demo/Music |
| ⑧ Chord                | ⑰ Memory          | ㉖ Off                      | ㉗ Off       | ㉘ Rhythm     |
| ⑨ Accompaniment Volume | ⑱ Recording Track | ㉗ Dual Keyboard/Dual Piano | ㉘ Soft      | ㉙ Tone       |



- |              |             |                      |
|--------------|-------------|----------------------|
| ① VOLUME     | ② METRONOME | ③ TONE/ DEMO/ RHYTHM |
| ④ START/STOP | ⑤ FUNCTION  | ⑥ NEXT               |

## Tone Selection

1. No. 0 Acoustic Grand Piano is the default tone after power on.
2. Long press the "TONE/DEMO/RHYTHM" button and simultaneously press a corresponding key in the tone area "white key c4-c5" to enter the tone mode.
3. Press the "NEXT" button or long press the "FUNCTION" button and simultaneously press the "#A2 number-" key to switch the tone. Or long press the "FUNCTION" button and simultaneously press the corresponding "B-d1 Number" Key" to select the tone (please refer to the Table of Tones).

## Rhythm Selection

1. Long press the "TONE/DEMO/RHYTHM" button and simultaneously press any black and white key in rhythm area (#f-c3) to enter the Rhythm Mode.
2. In the mode of Rhythm Selection, press the "NEXT" button or long press the "FUNCTION" button and simultaneously press the "#A2 number-" key to switch the rhythm.
3. Or long press the "FUNCTION" button and simultaneously press the corresponding "B-d1 Number" Key" to select the rhythm (please refer to the Table of Rhythms)
4. After the selection, press the "START/STOP" button to start rhythm playback, press the "START/STOP" button again to stop playing.

## Selection of Demo Music

1. Long press the "TONE/DEMO/RHYTHM" button and simultaneously press any black and white key in the demo area (#A2-f) to enter the Music Mode.
2. In the mode of Music Mode, press the "NEXT" button or long press "FUNCTION" button and simultaneously press the "#A2 number-" key to switch the rhythm.
3. Or long press the "FUNCTION" button and simultaneously press the corresponding "B-d1 Number" Key" to select music (Please refer to the Table of Music)
4. After the selection, press the "START/STOP" button to start music playback, press the "START/STOP" button again to stop playing.

## Demo Teaching Function

1. In the demo music mode (please refer to the Demo Selection to enter the demo mode), long press any black and white key (demo area #A2-f) first and then press "START/STOP".
2. Then enter the mode of demo teaching. Press any key on the keyboard to start playing the main melody. The melody will stop if no keys are pressed.
3. Press the "START/STOP" button again to exit the mode.

## Auto Chord

1. Long press the "FUNCTION" button and simultaneously press the "A2 Chord On" button on the keyboard to activate the auto chord.
2. Long press the "FUNCTION" button and simultaneously press the "B2 Chord Off" button on the keyboard to inactive the auto chord.

## Sync ON and Sync OFF

1. Long press the "FUNCTION" button and simultaneously press the "#C1Sync" button on the keyboard to turn on the sync function.
2. Press the "#C1Sync" button again to turn off the sync function.

## Intro/Ending

1. Long press the "FUNCTION" button and simultaneously press the "#D1Intro/Ending" button on the keyboard, and then press the "START/STOP" button to start the intro playing,
2. During the rhythm playing, long press the "FUNCTION" button and simultaneously press the "#D1Intro/Ending" button on the keyboard to start the ending playing.

## Accompaniment Volume

Long press the "FUNCTION" button and simultaneously press the "C1 Accompaniment Volume Up" button or "D1 Accompaniment Volume Down" on the keyboard adjust the accompaniment volume.

## Octave

Long press the "FUNCTION" button and press "E1 Octave Up" or "F1 Octave Down" on the keyboard to adjust the octave.

## Transposition

Long press the "FUNCTION" button and press "G1 Transposition Up" or "A1 Transposition Down" on the keyboard to adjust  $\pm 12$  semitones.

## Brightness

Long press the "FUNCTION" button and press "f1 Brightness Up" or "g1 Brightness Down" on the keyboard to adjust the sound brightness.

## Recall/Save

1. Long press the "FUNCTION" button and press any one of "C-F Settings 1-4" keys on the keyboard, and then long press the "Memory Setting" to save your selected parameters such as tone, rhythm, speed and volume.
2. Long press the "FUNCTION" button and press the "C-F Settings 1-4" key in the settings you just saved, and then short press the "Memory Setting" to recall the saved parameters.
3. This piano is capable of four save settings, 4 memories and 16 memory settings in total. Long press the "FUNCTION" button first and then press the "G Memory Up" key or "A Memory Down" key to select the memory.

## Recording/Playback

1. Long press the "METRONOME" button and press "B-d1 Recording Track" on the keyboard after the beep to select the track to be recorded. There are "0-15" tracks in total, of which 1-15 is the melody track and 0 is the accompaniment track.
2. After selecting the recording track, it will enter the recording mode. Play the piano and start recording, the metronome indicator flashes to start recording.
3. Long press the "START/STOP" button to stop recording, and the metronome stops flashing to exit the recording mode.
4. Long press the "START/STOP" button again to play the recorded sound.
5. Recording Deletion: Long press the "metronome" button to enter the recording mode after the beep, and then long press the "PLAY/STOP" button to delete all track recordings.

## Dual Tones

1. Choose one tone as the first of dual tones.
2. Long press the "FUNCTION" button and press the "c2 Dual Tones" key on the keyboard.
3. The dual tone is activate now and the second tone is the No. 49 tone by default.
4. In this mode, enter the Tone Mode to change the second tone (please refer to the Tone Selection.)
5. Press and hold the "FUNCTION" button again, and press the "d2 Dual Tone Off" key on the keyboard to exit the dual tones mode.

## Dual Keyboard/Dual Piano

1. Choose a tone as the left area.
2. Long press the "FUNCTION" button and press the "e2 Dual Keyboard" key on the keyboard to activate the Dual Keyboard mode.
3. In the activated state, the keyboard is divided into two identical areas on the left and right. The split point is located at the Middle C. In the Dual Keyboard mode, the pitch of Middle C is always the same as the pitch of the rightmost C.
4. In this mode, enter the Tone Mode to change the tone of right area (please refer to the Tone Selection.)
5. Long press the "FUNCTION" button and press the "f2 Dual Piano" key on the keyboard. Then, both the left and right keyboards will play the tone of piano.
6. Long press the "FUNCTION" button and press the "g2 Dual Keyboard/Dual Piano Off" key on the keyboard to exit Dual Keyboard/Dual Piano mode.

## Reverberation

1. Long press the "FUNCTION" button and press the "c3 Reverb On" key on the keyboard to activate the reverb mode. Then, the digital piano will play with the reverb effect.
2. Press the "c3 Reverb" button to switch the type of reverberation. All together 8 reverberation effects are preset.
3. Long press the "FUNCTION" button and press the "d3 Reverb Off" button to turn off the reverb effect.

## Chorus

1. Long press the "FUNCTION" button and press the "e3 Chorus" key on the keyboard to activate the chorus mode, then the digital piano will play with the chorus effect.
2. Press the "e3 Chorus" button to switch the type of chorus. All together 8 chorus effects are preset.
3. Long press the "FUNCTION" button and press the "f3 Chorus Off" button to turn off the chorus effect.

## Metronome

1. Long press the metronome button in the function box and the indicator will light up to play the metronome.
2. Long press the "FUNCTION" button and press the "g3-b3 Beat 1-6" key on the keyboard to select the number of beats.

## Speed

1. Long press the "FUNCTION" button and press "#d4 Speed Up" on the keyboard to increase the BPM value.
2. Long press the "FUNCTION" button and press "#f4 Speed Down" on the keyboard to reduce the BPM value.
3. BPM Range: 30-280

## Strength

1. Long press the "FUNCTION" button and press the "d4-g4 Strength" button on the keyboard to select the strength curve of the keyboard.
2. All together 5 strength curves: "OFF, SOFT, STANDARD, HARD" and default strength after power on.

## Keyboard Percussion

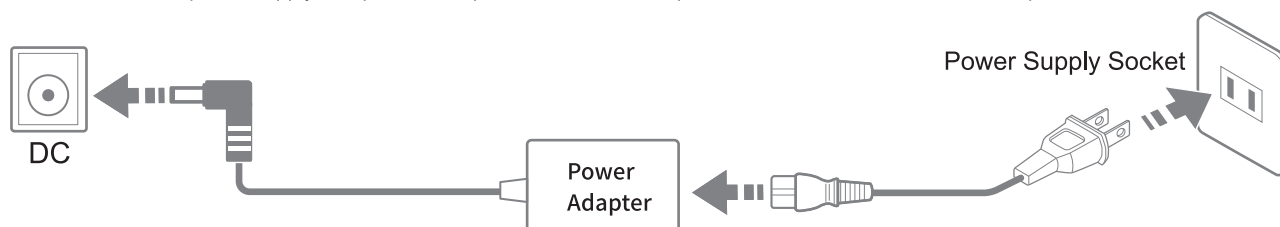
1. Long press the "FUNCTION" button and press the "a4 Percussion On" button on the keyboard to enter the Keyboard Percussion mode, and the keyboard will play the percussion effect.
2. Long press the "FUNCTION" button and press the "b4 Percussion Off" button on the keyboard to exit the Keyboard Percussion mode.

# SECURITY CONSIDERATION

## WARNINGS / CAUTIONS

### ● Power Adapter

- This product is available for the standard indoor wall socket.
- Please use only the power cord specified by this product.
- Please turn off the power supply and pull out the power cord when the product is not in use for an extended period of time.



### ● Smoke, odor, overheating

- The following operations shall be carried out immediately to avoid the danger of fire and electric shock when the product is smoking, emitting odors, or overheating.
  1. Turn off the power supply.
  2. Pull the plug from the power outlet.
  3. Contact the local agency.

### ● Power Supply and Power Line

- Improper use of power supply and power lines may cause the danger of fire and electric shock. The following precautions must be observed:
  1. Specified power lines for this product must be used.
  2. An AC power adaptor with output voltage within the household rated voltage must be used.
  3. Do not place the power cord near the heat and wet sources.
  4. Do not overload wall outlets and extension cords.
  5. Do not place heavy objects on the power lines.
  6. Do not twist and bend the power lines.
  7. Do not use wet hands to touch the power cord and plug.
  8. Unplug the power cord from the power outlet when not using the instrument or during a thunderstorm.
  9. Make sure that the power is off when connecting or cutting off the power cord.
  10. Children should not be allowed to contact the plug and power line when there is no adult supervision.

### ● Water and Foreign Matter

- Please turn off the power supply and unplug the power cord so as to avoid the danger of fire and electric shock when water and other foreign matter into this product.

### ● Dismantlement

- Please do not disassemble or modify this product so as to avoid the danger of fire and electric shock.

### ● Handling and transportation

- Never apply excessive force to the controls, connectors, or other parts of the instrument.
- Grab the plug firmly while unplugging the cables, never pull the cables with force.
- Disconnect all cables before moving the instrument.
- Shocks caused by dropping, bumping the instrument, or placing heavy objects on top of it, can result in scratches and even more severe damages.

### ● Placement

- Please do not place this product on an uneven surface or any other unstable place so as to avoid any falling damage.

- **Interface**

- The interface of this product can only be connected to the specified equipment and devices.  
The connection of non-designated equipment or devices has the risk of fire and electric shock.

- **Plastic Bag**

- Keep the plastic bag away from children to avoid suffocation.

- **Volume**

- Do not use the instrument at high volume for long periods of time. A high volume may damage your hearing.

- **Clean**

- Please remove the power cord from the wall outlet before cleaning this product so as to avoid the danger of fire and electric shock.

## TROUBLESHOOTING

Issue	Reason	Solution
There was no sound on the keyboard.	1. Volume Controller Set at Minimum Position. 2. Headphones or Plug Converters insert headphone jack. 3. The power supply is not connected or the piano is off.	1. Turn the volume to the right maximum volume. 2. Remove the original connector from the headphone jack. 3. Turn on the power supply and press the boot button.
The pedals don't work.	1. Connecting the Line jack of the pedal is not plugged into the piano. 2. Pedal plug loose.	1. Plug the pedal cord into the piano socket. 2. Check to confirm whether the plug at one end of the pedal connection is loose or not and then tighten it.
When the piano power is turned on or off there is a murmur.	Normal phenomenon	This is a normal phenomenon, indicating that the current enters the machine at this time.
The piano is noisy when using a mobile phone.	Radio interference	The use of mobile phones in the vicinity of the piano produces radiation. To avoid this situation, you can turn off the mobile phone or use it away from the piano.
Abnormal tone or rhythm.	Power shortage	Power shortage. Check power stability.
It seems that all tones are pronounced or that the pronunciation seems to be cut off.	Normal phenomenon	The maximum number of simultaneous sounds on this instrument is 128 notes. If the dual tone mode is in use and the accompaniment or music is playing, some notes or sounds in the accompaniment or music will be default.
Under the same timbre, the quality of a note is different from that of a note.	Normal phenomenon	This is a normal phenomenon. This machine adopts AWM sound source mode. This kind of sound source is sampled and recorded in the whole keyboard area, so the quality of the two notes is slightly different.
Connecting Computer, Not recognized	USB plug loose	No need to install extra drives. If the piano isn't recognized by the computer, please check if the USB cords are connected securely or try to connect the other USB socket of the computer.

## PIANO MAINTENANCE

Conscientiously do a good job in the maintenance and protection of this product. It plays an important role in prolonging the service Life and reducing faults.

### 1. Avoid heat, dampness, or direct sunlight

The product should not be exposed excessively to the direct sunlight, placed near the air conditioner or extremely hot places.

### 2. No use near TV or radio.

This product may cause video or audio interference to the reception of TV and radio. If this happens, it should be removed from the radio or TV products.

### 3. Don't use paint, diluent or similar chemicals to clean it.

Wet a soft towel with weak solution and detergent and wring it out until it dries. Clean the product with this towel.

### 4. No shaking and collision.

The product should be moved carefully. Violent shake and collision are prohibited to avoid damaging the shell or internal electronic components.

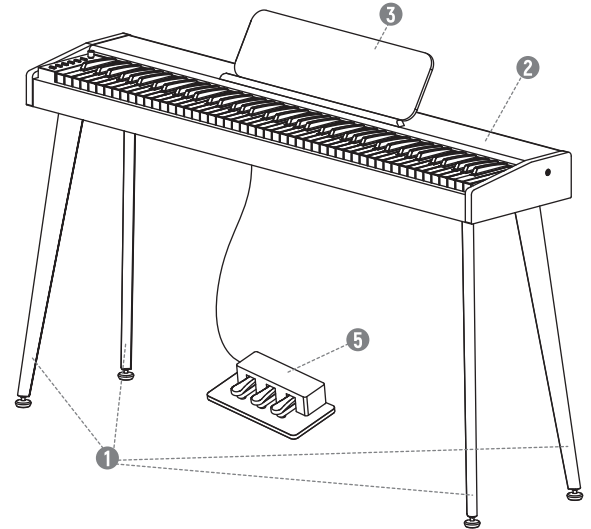
## Bienvenue à Donner

Merci beaucoup d'avoir acheté notre produit. Veuillez prendre quelques minutes pour lire le mode d'emploi de ce produit, Ce vous expliquera comment l'utiliser et vous décrira les fonctions et l'opération de l'appareil, Contribuant à garantir une installation sans problème.  
Veuillez conserver ce mode d'emploi pour référence ultérieure.

### LISTE DE PRODUITS

Veuillez confirmer si le produit est en bon état et si les accessoires sont tous inclus.

Nom	Quantity
① Support de Piano	4 PCS
② Corps de Piano	1 PC
③ Pupitre	1 PC
④ Vis M6 * 14mm	20 PCS
⑤ Trois Pédales	1 PC
⑥ Adaptateur Secteur	1 PC
⑦ Manuel	1 PC



### SPÉCIFICATIONS DU PRODUIT

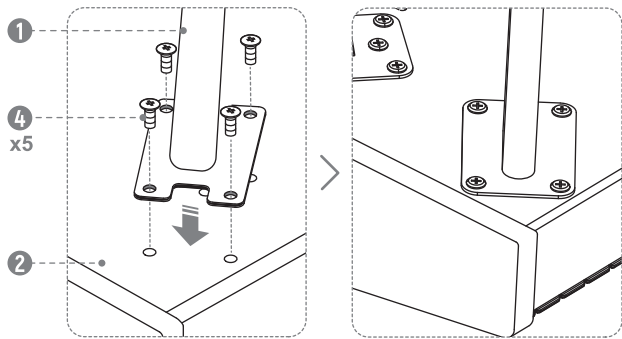
Nom du produit		Donner Piano numérique portable avec un clavier de 88 touches	
Taille/Poids	Taille du produit	136*35.8*76.4cm (53.5*14.09*30.08inch)	
	Poids du produit	18.5kg (40.8pound)	
	Taille de l'emballage	141*38.5*25cm (55.5*15.2*9.8inch)	
	Poids de l'emballage	22kg (48.5pound)	
Contrôler la performance	Clavier	Nombre de notes	Clavier semi-lesté à 88 touches
		Touch Response	Désactiver/Léger/Standard/Lourd/Par défaut
Fonction	Polyphonie	Nombre de polyphonie(maximum)	128
	Double clavier	Prendre en charge	
	Double tonalité	Prendre en charge	
	Rythme	83	
	Timbre	128	
	Démonstration	47	
	Effet	Réverbération (8 Type, Profondeur de réverbération commutable et réglable)	
	Fonction d'enregistrement	Prendre en charge	
Métronome	Type	6	
	Vitesse de battement	30 ~ 280	
Interface de connexion	Prise d'alimentation	DC 12V 3A	
	Prise casque	Prendre en charge 6.35mm (1/4-inch)	
	Prise AUX OUT	Oui	
	Prise USB-MIDI	Oui	
	Prise pédale	Oui	
Systeme audio	Puissance de sortie du haut-parleur	≥15Wx2	
Specifications	Tension nominale	220-240V ~ (EU/UK) 120V (US)	
	Fréquence nominale	50Hz (EU/UK) 60Hz (US)	
	Puissance nominale	1.0A Maximum	
	Intonation	≤3 cent	
	Diapason	A2 ~ C5	

Rappel spécial: Ce produit s'agit d'un produit électronique, il est donc normal qu'il y ait des bruits de courant dans les haut-parleurs (deux haut-parleurs ou l'un des haut-parleurs, casque à écouter) après la mise sous tension. Gardez le produit à l'écart des sources d'interférences telles que les appareils à radiofréquence et les équipements dotés de moteurs, comme les radios, les routeurs, les téléviseurs, les récepteurs, les réfrigérateurs, les machines à laver, etc.

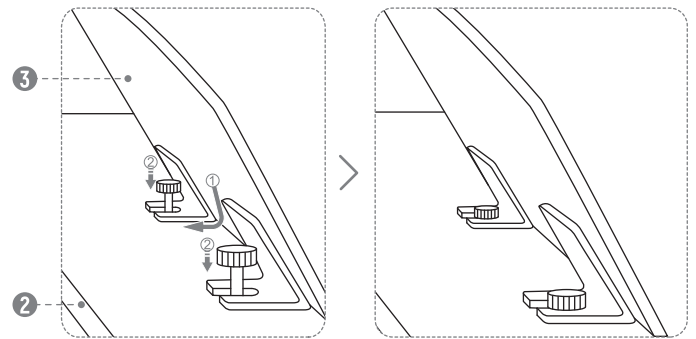
# INSTRUCTIONS D'INSTALLATION

Assurez-vous que toutes les pièces sont complètes durant l'installation.  
Le propriétaire et/ou l'opérateur doit lire le contenu de l'installation avant d'utiliser l'instrument de musique.

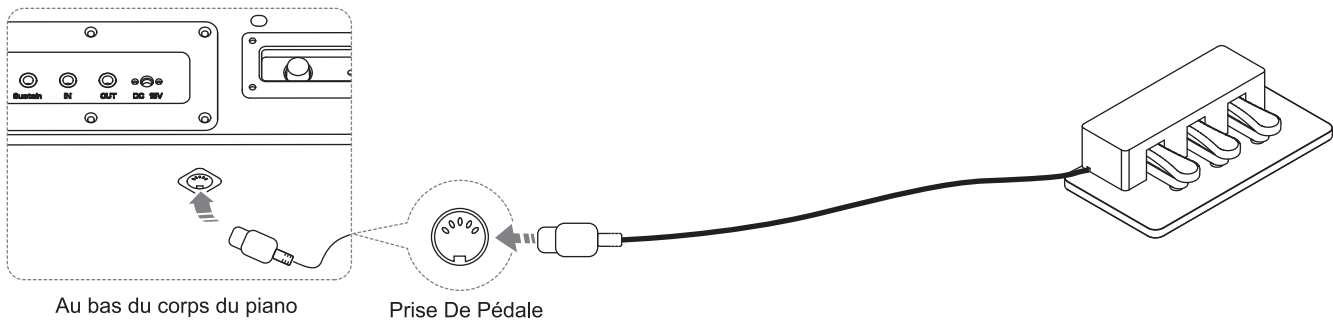
## 1. Installation de la planche de piano



## 2. Installation de la planche Pupitre



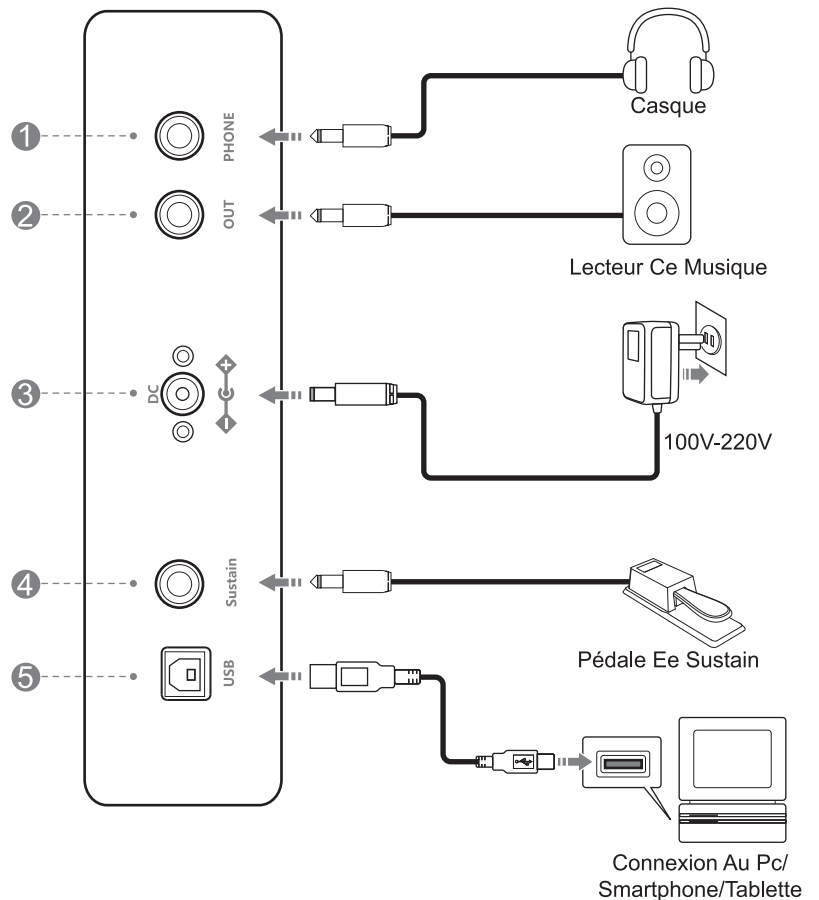
## 3. Installation de la douille de pédale



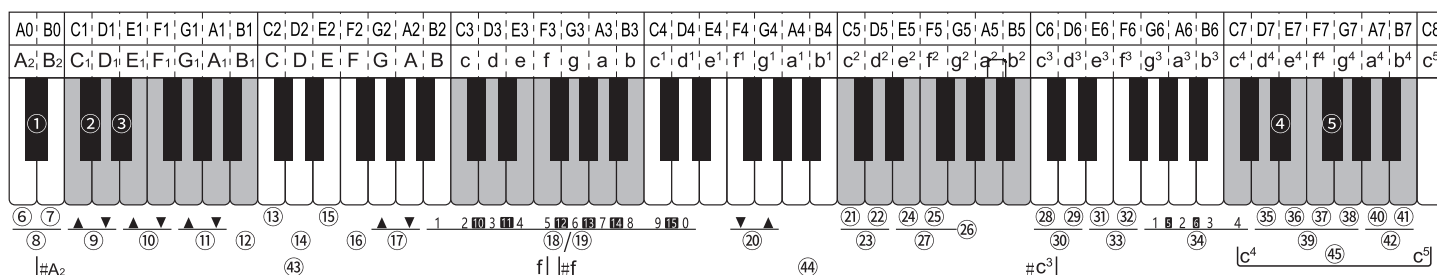
# DIAGRAMME DE PRISE

## Arrière du corps principal du piano

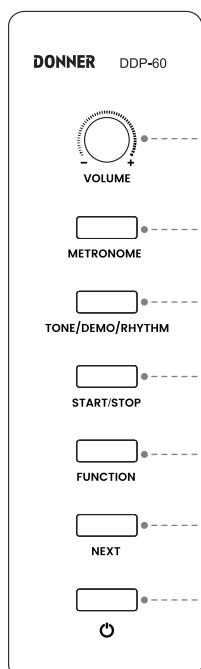
- 1 Prise casque**  
 La connexion d'un casque à écouteur permettra de couper automatiquement la sortie des haut-parleurs intégrés du piano électronique, afin de ne pas déranger les autres lors de la performance.
- 2 Prise de sortie audio**  
 La prise de sortie audio peut être connectée à un grand équipement audio.
- 3 Connexion du cordon d'alimentation**
  1. Lors de l'utilisation, branchez le cordon d'alimentation comme illustré à la figure, branchez une extrémité dans la prise d'alimentation du panneau de commande au bas du piano et branchez l'autre extrémité sur une prise de courant domestique de 100V à 220V.
  2. Lorsque le produit n'est pas utilisé pendant une longue période, veuillez débrancher le cordon d'alimentation et le conserver en lieu sûr.
- 4 Pédale de Sustain**  
 Ce produit dispose d'une fonction de pédale de sustain, veuillez appuyer sur la pédale si nécessaire lors de l'utilisation.
- 5 Interface de transmission USB**  
 L'interface USB permet à ce piano numérique de se connecter à un ordinateur. Grâce au logiciel de musique préinstallé sur l'ordinateur, vous pouvez effectuer les opérations telles que l'apprentissage, le jeu au clavier, la performance, la composition et l'enregistrement. La musique éditée et l'accompagnement intégré du logiciel de musique peuvent être connectés au piano numérique via le logiciel pour la lecture ou la performance en fonction de la musique d'accompagnement.



# GUIDE D'OPÉRATION



- |                                  |                          |                                 |                   |                   |
|----------------------------------|--------------------------|---------------------------------|-------------------|-------------------|
| ① Touche numérique -             | ⑩ Octave                 | ⑲ Touches numériques            | ⑳ Activer         | ⑳ Activer         |
| ② commutateur de synchronisation | ⑪ Transposition          | ⑳ Luminosité                    | ㉑ Désactiver      | ㉑ Désactiver      |
| ③ Prélude/Postlude               | ⑫ réglage de la mémoire  | ㉒ Activer                       | ㉒ Double tonalité | ㉒ Double tonalité |
| ④ vitesse +                      | ⑬ réglage 1              | ㉓ Désactiver                    | ㉓ Activer         | ㉓ Activer         |
| ⑤ vitesse -                      | ⑭ réglage 2              | ㉔ Activer                       | ㉔ Désactiver      | ㉔ Désactiver      |
| ⑥ Activer                        | ⑮ réglage 3              | ㉕ Activer                       | ㉕ Chorus          | ㉕ Chorus          |
| ⑦ Désactiver                     | ⑯ réglage 4              | ㉖ Désactiver                    | ㉖ Métronome       | ㉖ Métronome       |
| ⑧ Accord                         | ⑰ banque de mémoire      | ㉗ Double clavier / Double piano | ㉗ Désactiver      | ㉗ Désactiver      |
| ⑨ volume d'accompagnement        | ⑱ piste d'enregistrement |                                 | ㉘ Léger           | ㉘ Léger           |
|                                  |                          |                                 | ㉙ Standard        | ㉙ Standard        |
|                                  |                          |                                 | ㉚ Désactiver      | ㉚ Désactiver      |
|                                  |                          |                                 | ㉛ Réverbération   | ㉛ Réverbération   |
|                                  |                          |                                 | ㉜ Activer         | ㉜ Activer         |
|                                  |                          |                                 | ㉝ Désactiver      | ㉝ Désactiver      |
|                                  |                          |                                 | ㉞ Chorus          | ㉞ Chorus          |
|                                  |                          |                                 | ㉟ Métronome       | ㉟ Métronome       |
|                                  |                          |                                 | ㊱ Désactiver      | ㊱ Désactiver      |
|                                  |                          |                                 | ㊲ Léger           | ㊲ Léger           |
|                                  |                          |                                 | ㊳ Standard        | ㊳ Standard        |
|                                  |                          |                                 | ㊴ Lour            | ㊴ Lour            |
|                                  |                          |                                 | ㊵ Dynamique       | ㊵ Dynamique       |
|                                  |                          |                                 | ㊶ Activer         | ㊶ Activer         |
|                                  |                          |                                 | ㊷ Désactiver      | ㊷ Désactiver      |
|                                  |                          |                                 | ㊸ Percussion      | ㊸ Percussion      |
|                                  |                          |                                 | ㊹ Démontstration  | ㊹ Démontstration  |
|                                  |                          |                                 | ㊺ Rythme          | ㊺ Rythme          |
|                                  |                          |                                 | ㊻ Timbre          | ㊻ Timbre          |



- ① VOLUME
- ② Métro
- ③ Timbre / Rythme / Démonstration
- ④ Lecture / Pause
- ⑤ Fonction
- ⑥ Morceau suivant

## Sélection de timbre

- Le timbre pré-réglé est Acoustic Grand Piano No. 0 après la mise sous tension.
- Appuyez longuement sur le bouton «TONE/DEMO/RHYTHM» tout en appuyant sur une touche blanche correspondante de sélection directe «C4-c5» dans la zone de timbre pour entrer dans le mode de timbre.
- De plus, vous pouvez appuyer sur le bouton «NEXT» ou appuyer longuement sur le bouton «FUNCTION» tout en appuyant sur la touche «# A2 numéro -» pour intensifier ou affaiblir le timbre. Vous pouvez également appuyer longuement sur le bouton «FUNCTION» tout en appuyant sur la touche numérique «B -d1 » correspondante au clavier pour la sélection de timbre (Veuillez vous référer au tableau des timbres pour plus de détails).

## Sélection de rythme

- Appuyez longuement sur le bouton «TONE/DEMO/RHYTHM» tout en appuyant sur n'importe quelle touche noire et blanche dans la zone de rythme (#f-c3) pour entrer dans le mode de rythme.
- Après avoir entré dans la sélection de rythme, vous pouvez appuyer sur le bouton «NEXT» ou appuyer longuement sur le bouton «FUNCTION» tout en appuyant sur la touche «# A2 numéro -» pour intensifier ou affaiblir le rythme.
- Vous pouvez également appuyer longuement sur le bouton «FUNCTION» tout en appuyant sur la touche numérique «B -d1» correspondante au clavier pour la sélection de rythme (Veuillez vous référer au tableau des rythmes pour plus de détails).
- Une fois la sélection terminée, appuyez sur le bouton «START/STOP» pour démarrer la lecture du rythme, et appuyez à nouveau sur le bouton «START/STOP» pour arrêter la lecture.

## Sélection de morceau de démonstration

- Appuyez longuement sur le bouton «TONE/DEMO/RHYTHM» tout en appuyant sur n'importe quelle touche noire et blanche dans la zone de morceau de démonstration (#A2-f) pour entrer dans le mode de morceau.
- Après avoir entré dans la sélection de morceau, vous pouvez appuyer sur le bouton «NEXT» ou appuyer longuement sur le bouton «Fonction» tout en appuyant sur la touche «# A2 numéro -» pour intensifier ou affaiblir le rythme.
- Vous pouvez également appuyer longuement sur le bouton «Fonction» tout en appuyant sur la touche numérique «B -d1» correspondante au clavier pour la sélection de morceau (Veuillez vous référer au tableau des morceaux pour plus de détails).
- Une fois la sélection terminée, appuyez sur le bouton «START/STOP» pour démarrer la lecture du morceau, et appuyez à nouveau sur le bouton «START/STOP» pour arrêter la lecture.

## Fonction d'enseignement du morceau de démonstration

- En mode de morceau de démonstration (Veuillez vous référer à l'opération de sélection de morceau de démonstration pour plus de détails), appuyez d'abord sur n'importe quelle touche noire et blanche (zone de morceau de démonstration # A2-f) du clavier, puis appuyez sur «START/STOP».
- Appuyez sur le bouton pour accéder au mode d'enseignement du morceau de démonstration, vous appuyez au hasard sur une touche du clavier pour commencer à lire la mélodie principale. Si vous n'appuyez pas sur la touche, la lecture de la mélodie principale s'arrêtera.
- Appuyez à nouveau sur le bouton «START/STOP» pour quitter ce mode.

## Accord automatique

- Appuyez longuement sur le bouton «FUNCTION», tout en appuyant sur le bouton «A2 accord activé» sur le clavier pour activer l'accord automatique.
- Appuyez longuement sur le bouton «FUNCTION», tout en appuyant sur le bouton «B2 accord désactivé» du clavier pour désactiver l'accord automatique.

## Activation de la synchronisation et désactivation de la synchronisation

- Appuyez longuement sur le bouton «FUNCTION» tout en appuyant sur le bouton «# C1Sync» sur le clavier pour activer la synchronisation.
- Appuyez à nouveau sur le bouton «# C1Sync» pour désactiver la synchronisation.

## Prélude / Postlude

1. Appuyez longuement sur le bouton «FUNCTION» tout en appuyant sur le bouton «#D1 Prélude / Postlude» sur le clavier, et puis appuyez sur le bouton «START/STOP» pour commencer à jouer le prélude.
2. Pendant la lecture du rythme, appuyez longuement sur le bouton «FUNCTION» tout en appuyant sur le bouton «#D1 Prélude / Postlude» sur le clavier pour commencer à jouer le postlude.

## Volume d'accompagnement

Appuyez longuement sur le bouton «FUNCTION» tout en appuyant sur le bouton «C1 Volume d'accompagnement + / D1 Volume d'accompagnement -» sur le clavier pour augmenter ou diminuer le volume d'accompagnement.

## Octave

Appuyez longuement sur le bouton «FUNCTION» tout en appuyant sur le bouton «E1 Octave + / F1 Octave -» sur le clavier pour augmenter ou diminuer l'octave.

## Transposition

Appuyez longuement sur le bouton «FUNCTION» tout en appuyant sur le bouton «G1 Transposition + / A1 Transposition -» sur le clavier pour augmenter ou diminuer 12 demi-tons.

## Luminosité

Appuyez longuement sur le bouton «FUNCTION» et puis appuyez sur «f1 Luminosité -» ou «g1 Luminosité +» sur le clavier pour ajuster la luminosité du son.

## Rappeler / Enregistrer

1. Appuyez longuement sur le bouton «FUNCTION», et puis appuyez sur l'un des boutons «CF Réglages 1-4» sur le clavier, ensuite appuyez longuement sur «Réglages de mémoire» pour enregistrer le timbre, le rythme, le tempo, le volume et d'autres paramètres que vous avez sélectionnés.
2. Appuyez longuement sur le bouton «FUNCTION», et puis appuyez sur la touche «CF Réglages 1-4» dans les réglages que vous venez d'enregistrer, ensuite appuyez brièvement sur «Réglages de mémoire» pour rappeler les paramètres enregistrés.
3. Le piano a 4 réglages d'enregistrement, 4 banques de mémoire et 16 réglages de mémoire au total. Vous pouvez d'abord appuyer longuement sur le bouton «FUNCTION», et puis appuyer sur la touche «G Banque de mémoire +» ou «A Banque de mémoire -» sur le clavier pour sélectionner la banque de mémoire.

## Enregistrement / lecture

1. Appuyez longuement sur le bouton «Metronome» et appuyez sur «B-d1 Piste d'enregistrement» sur le clavier pour sélectionner la piste que vous souhaitez enregistrer après avoir entendu le bip. Il y a un total de «0-15» pistes, dont 1 -1 5 est la piste de mélodie, 0 est la piste d'accompagnement.
2. Après avoir sélectionné la piste d'enregistrement, entrez dans l'état d'enregistrement. À ce stade, lorsque vous commencez à jouer du piano, l'enregistrement démarre, et l'indicateur du métronome clignote pour indiquer le démarrage de l'enregistrement.
3. Appuyez longuement sur le bouton «START/STOP» pour terminer l'enregistrement, à ce stade, le métronome arrête de clignoter et quitte l'état d'enregistrement.
4. Appuyez à nouveau longuement sur le bouton «START/STOP» pour relire le son enregistré.
5. Effacement de l'enregistrement: Appuyez d'abord sur le bouton «Metronome» et maintenez-le enfoncé, entrez en mode d'enregistrement après avoir entendu le bip, puis appuyez longuement sur le bouton «START/STOP» pour effacer tous les enregistrements de piste.

## Double tonalité

1. Choisissez une tonalité comme première tonalité de la double tonalité.
2. Appuyez sur le bouton «FUNCTION» et maintenez-le enfoncé, puis appuyez sur la touche «c2 Double tonalité» sur le clavier.
3. À ce stade, la double tonalité est activée et la deuxième tonalité est la 49e tonalité par défaut.
4. Dans ce mode, vous pouvez accéder au mode de tonalité pour changer la 2ème tonalité (Voir l'opération de sélection de tonalité pour plus de détails).
5. Appuyez à nouveau sur le bouton «FUNCTION» et maintenez-le enfoncé, puis appuyez sur la touche «d 2 Double tonalité désactivée» sur le clavier pour quitter le mode double tonalité.

## Double clavier / Double piano

1. Choisissez un timbre comme zone de gauche.
2. Appuyez longuement sur le bouton «FUNCTION» tout en appuyant sur la touche «e2 Double clavier» sur le clavier pour activer le mode double clavier.
3. Lorsque le mode double clavier est activé, le clavier est divisé en deux zones de clavier identiques à gauche et à droite, et le point de partage est le centre C. En mode double clavier, la hauteur du centre C est toujours identique à celle du C le plus à droite.
5. Dans ce mode, vous pouvez accéder au mode de timbre pour changer le timbre de la zone à droite (Voir l'opération de sélection de timbre pour plus de détails).
6. Appuyez longuement sur le bouton «FUNCTION» tout en appuyant sur la touche «f2 Double piano» sur le clavier, à ce stade, les claviers des côtés gauche et droite auront tous des timbres de piano.
7. Appuyez longuement sur le bouton «FUNCTION» tout en appuyant sur la touche «g2 Double clavier / Double piano désactivée» sur le clavier pour quitter les modes double clavier et double piano.

## Réverbération

1. Appuyez longuement sur le bouton «FUNCTION» tout en appuyant sur la touche «c3 Réverbération activée» sur le clavier pour activer le mode de réverbération, à ce stade, le son du piano numérique aura un effet de réverbération.
2. Appuyez plusieurs fois sur la touche «c3 Réverbération» pour changer le type de réverbération, et il y a 8 effets de réverbération au total.
3. Appuyez longuement sur le bouton «FUNCTION» tout en appuyant sur la touche «d3 Réverbération désactivée» à côté pour désactiver la réverbération.

## Chorus

1. Appuyez longuement sur le bouton «FUNCTION» tout en appuyant sur la touche «e3 Chorus» sur le clavier pour activer le mode chorus, à ce stade, le son du piano numérique aura un effet de chorus.
2. Appuyez plusieurs fois sur le bouton «e3 Chorus» pour changer le type de réverbération, et il existe 8 effets de chorus.
3. Appuyez longuement sur le bouton «FUNCTION» tout en appuyant sur la touche «f3 Chorus» à côté pour désactiver l'effet de chorus.

## Métronome

1. Appuyez longuement sur le bouton Métronome de la boîte de fonction, l'indicateur s'allume pour jouer le métronome.
2. Appuyez longuement sur le bouton «FUNCTION» tout en appuyant sur la touche «g3-b3 Battement 1-6» sur le clavier pour sélectionner le nombre de battement.

## Tempo

1. Appuyez longuement sur le bouton «FUNCTION» tout en appuyant sur la touche «#d4 Vitesse +» sur le clavier pour accélérer la valeur de la vitesse BPM.
2. Appuyez longuement sur le bouton «FUNCTION» tout en appuyant sur la touche «#f4 Vitesse -» sur le clavier pour ralentir la valeur de la vitesse BPM.
3. Plage de BPM: 30-280.

## Dynamique

1. Appuyez longuement sur le bouton «FUNCTION» tout en appuyant sur le bouton «d4-g4 Dynamique » sur le clavier pour sélectionner la courbe de dynamique du clavier.
2. Il existe 5 courbes de dynamique par défaut pour «Désactiver, léger, standard, lourd et activer».

## Percussion du clavier

1. Appuyez longuement sur le bouton «FUNCTION» tout en appuyant sur le bouton «a4 Percussion activée» sur le clavier pour accéder au mode de percussion du clavier, à ce stade, le clavier devient percussion.
2. Appuyez longuement sur le bouton «FUNCTION» tout en appuyant sur le bouton «b4 Percussion désactivée» à côté sur le clavier pour désactiver la percussion du clavier.

# CONSIDÉRATIONS DE SÉCURITÉ

## AVERTISSEMENTS/MISES EN GARDE

### ● Adaptateur Secteur

- Ce produit est disponible pour la prise murale intérieure standard.
- Veuillez utiliser uniquement le cordon d'alimentation spécifié par ce produit.
- Veuillez couper l'alimentation et débrancher le cordon d'alimentation lorsque le produit n'est pas utilisé pendant une période prolongée.



### ● Fumée, odeur, surchauffe

- Les opérations suivantes doivent être effectuées immédiatement pour éviter tout risque d'incendie et d'électrocution lorsque le produit fume, émet des odeurs ou surchauffe.
  1. Coupez l'alimentation.
  2. Retirez la fiche de la prise de courant.
  3. Contactez l'agence locale.

### ● Alimentation et Ligne Électrique

- Une mauvaise utilisation de l'alimentation et des lignes électriques peut entraîner un risque d'incendie et d'électrocution. Les précautions suivantes doivent être observées:
  1. Les lignes électriques spécifiées pour ce produit doivent être utilisées.
  2. Un adaptateur secteur CA avec une tension de sortie comprise dans la tension nominale domestique doit être utilisé.
  3. Ne placez pas le cordon d'alimentation à proximité de sources de chaleur et d'humidité.
  4. Ne surchargez pas les prises murales et les rallonges.
  5. Ne placez pas d'objets lourds sur les lignes électriques.
  6. Ne tordez pas et ne pliez pas les lignes électriques.
  7. N'utilisez pas les mains mouillées pour toucher le cordon d'alimentation et la fiche.
  8. Débranchez le cordon d'alimentation de la prise de courant lorsque vous n'utilisez pas l'instrument de musique ou pendant un orage.
  9. Assurez-vous que l'alimentation est coupée lorsque vous branchez ou débranchez le cordon d'alimentation.
  10. Les enfants ne doivent pas être autorisés à entrer en contact avec la fiche et la ligne électrique lorsqu'il n'y a pas de surveillance d'un adulte.

### ● Eau et Objets Étrangers

- Veuillez couper l'alimentation et débrancher le cordon d'alimentation afin d'éviter tout risque d'incendie et d'électrocution lorsque de l'eau et d'autres objets étrangers pénètrent dans ce produit.

### ● Démantèlement

- Ne démontez pas et ne modifiez pas ce produit afin d'éviter tout risque d'incendie et d'électrocution.

### ● Manutention et Transport

- N'appliquez jamais de force excessive sur les commandes, les connecteurs ou d'autres parties de l'instrument de musique.
- Saisissez fermement la fiche tout en débranchant les câbles, ne tirez jamais sur les câbles avec force.
- Débranchez tous les câbles avant de déplacer l'instrument de musique.
- Les chocs causés par une chute, un choc de l'instrument de musique ou la pose d'objets lourds dessus peuvent entraîner des rayures et des dommages encore plus graves.

### ● Emplacement

- Ne placez pas ce produit sur une surface inégale ou tout autre endroit instable afin d'éviter tout dommage de chute.

● **Interface**

- L'interface de ce produit ne peut être connectée qu'aux équipements et appareils spécifiés. La connexion d'équipements ou d'appareils non désignés présente un risque d'incendie et d'électrocution.

● **Sac en Plastique**

- Gardez le sac en plastique hors de portée des enfants pour éviter l'étouffement.

● **Volume**

- N'utilisez pas l'instrument de musique à volume élevé pendant de longues périodes. Un volume élevé peut endommager votre audition.

● **Nettoyage**

- Veuillez débrancher le cordon d'alimentation de la prise murale avant de nettoyer ce produit afin d'éviter tout risque d'incendie et d'électrocution.

## DÉPANNAGE

Problème	Cause	Solution
Aucun son ne retentit lors d'appuyer sur les touches du clavier.	1. La commande de volume est réglée sur la position minimum «-». 2. Le casque ou le convertisseur est inséré dans la prise casque. 3. L'appareil n'est pas sous tension ou le piano est éteint.	1. Tournez le niveau de volume vers la droite de la direction du volume maximum «+». 2. Débranchez l'objet de connexion d'origine de la prise casque. 3. Mettez l'instrument sous tension, puis appuyez sur le bouton d'alimentation.
La pédale ne fonctionne pas	1. La broche du câble de la pédale n'est pas branchée sur le corps principal. 2. La fiche à l'extrémité de la pédale est desserrée.	1. Branchez la fiche du cordon de la pédale dans la prise du corps principal. 2. Vérifiez si la fiche du cordon de connexion à l'extrémité de la pédale connectée aux trois pédales est desserrée, il suffit de la brancher fermement.
Il est accompagné de bruit lorsque l'alimentation du piano est allumée ou éteinte	C'est un phénomène normal	C'est un phénomène normal, ce qui signifie que le courant entre dans l'instrument à ce moment.
Du bruit est généré lors de l'utilisation d'un téléphone mobile	Interférence radio	L'utilisation d'un téléphone mobile à proximité du piano générera des radiations. Pour éviter cette situation, vous pouvez éteindre le téléphone mobile ou l'utiliser loin du piano.
Le timbre ou le rythme semble anormal	Énergie électrique insuffisante	Vérifiez si l'énergie électrique est stable
Sous le même timbre, la qualité sonore des notes est différente les unes les autres	C'est un phénomène normal	Le nombre maximum de prononciation simultanée de ce piano est de 128 notes. Si le mode Double tonalité est utilisé et que l'accompagnement ou le morceau est joué en même temps, certaines notes / sons de l'accompagnement ou du morceau seront omis.
Sous le même timbre, la qualité sonore des notes est différente les unes les autres	C'est un phénomène normal	Il s'agit d'un phénomène normal, cet instrument adopte le mode de source sonore AWM, ce type de source sonore est échantillonné et enregistré en sections dans toute l'échelle de touches, de sorte que la qualité sonore des deux notes est légèrement différente.
Lors de la connexion à un ordinateur, l'ordinateur ne reconnaît pas ce piano	La prise USB est lâche	Ce piano électronique n'a pas besoin d'installer de pilotes supplémentaires. Si l'ordinateur ne reconnaît pas ce piano, veuillez vérifier si le câble USB est fermement connecté ou essayez de connecter le piano à un autre port USB de l'ordinateur.

## ENTRETIEN ET MAINTENANCE DU PRODUIT

Un entretien et une protection soigneux de ce produit sont très importants pour prolonger la durée de vie du produit et réduire les pannes.

**1. Évitez l'exposition à la chaleur, à l'humidité ou à la lumière directe du soleil**

N'exposez pas le produit de manière excessive à la lumière directe du soleil et ne le placez pas à proximité d'un climatiseur ou dans un endroit extrêmement chaud.

**2. N'utilisez pas le produit à proximité de la télévision ou de la radio**

Ce produit pourrait provoquer des interférences vidéo ou audio à la réception TV et radio, si cela se passe, le produit doit être éloigné du téléviseur ou de la radio.

**3. N'utilisez pas de peinture, de diluant ou de produits chimiques similaires pour le nettoyage**

Nettoyez le produit avec un chiffon doux imbibé d'une solution d'eau faible et d'un détergent neutre. Trempez le chiffon dans la solution et essorez-le jusqu'à ce qu'il soit presque sec.

**4. Ne secouez pas le produit, évitez les collisions**

Le produit doit être manipulé avec précaution lors du déplacement, les vibrations violentes et les collisions sont strictement interdites pour éviter d'endommager le boîtier ou les composants électroniques internes.

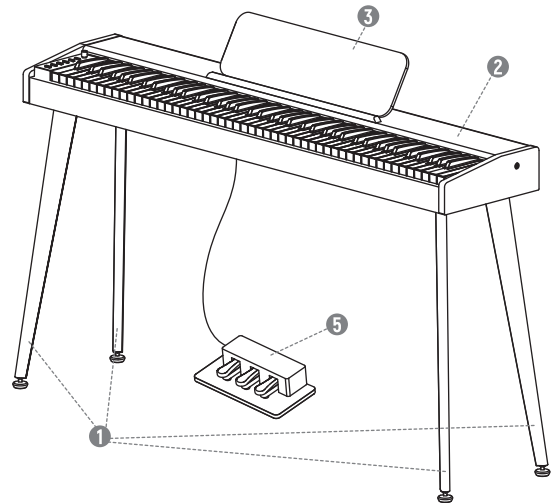
## Willkommen in Donner

Vielen Dank für den Kauf unseres Produkts, nehmen Sie sich bitte ein paar Minuten, um diese Bedienungsanleitung dieses Produkts durchzulesen, in der werden die Verwendung des Produkts und die Funktion und den Betrieb des Geräts erläutert, um eine störungsfreie Installation zu gewährleisten. Bitte bewahren Sie diese Bedienungsanleitung für zukünftige Referenzen auf.

### LIEFERUMFANG

Bitte prüfen Sie, ob das Produkt in gutem Zustand ist und ob das Zubehör vollständig ist.

Name	Anzahl
① Piano-Ständer	4 Stk.
② Klaviergehäuse	1 Stk.
③ Notenpults	1 Stk.
④ Schrauben (M6*14 mm)	20 Stk.
⑤ Dreifach-Pedal	1 Stk.
⑥ Netzadapter	1 Stk.
⑦ Bedienungsanleitung	1 Stk.



### PRODUKTSPEZIFIKATION

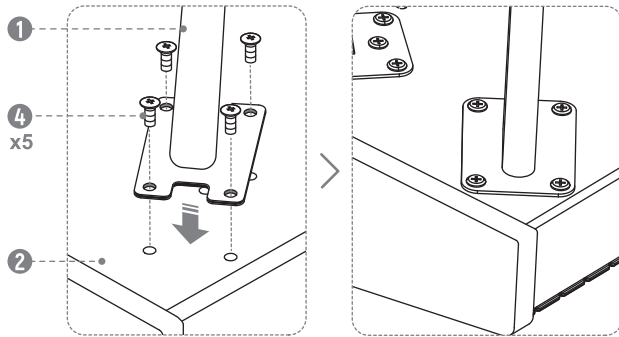
Produktname	Donner 88 Tasten Halbgewichtetes Digitales Klavier		
<b>Größe / Gewicht</b>	Produktgröße	136*35,8*76,4cm (53,5*14,09*30,08inch)	
	Das Gewicht des Produkts	18,5kg (40,8pound)	
	Paketgröße	141*38,5*25cm (55,5*15,2*9,8inch)	
	Das Gewicht der Verpackung	22kg (48,5pound)	
<b>Leistungskontrolle</b>	Tastatur	Die Anzahl der Tasten	Halbgewichtete Tastatur mit 88 Tasten
		Force Response	Aus / Licht / Standard / Schwer / Original
<b>Funktion</b>	Komplexer	Anzahl von Komplexer Ton (maximal)	128
	Dual-Tastatur	Unterstützung	
	Zwei Töne	Unterstützung	
	Rhythmus	83	
	Ton	128	
	Demonstration	47	
	Effekte	Nachhall (8 Typen, Schaltbare & einstellbare Halltiefe)	
	Aufnahmefunktion	Unterstützung	
Metronom	Typen	6	
	Geschwindigkeit schlagen	30 ~ 280	
<b>Verbinden sie die Schnittstelle</b>	Netzstecker	DC 12V 3A	
	Kopfhörerbuchse	Unterstützung 6.35mm (1/4-inch)	
	AUX OUT Steckdose	Ja	
	USB-MIDI Steckdose	Ja	
	Pedalbuchse	Ja	
<b>Das Soundsystem</b>	Lautsprecherausgänge	≥15Wx2	
<b>Spezifikationen</b>	Nennspannung	220-240V ~ (EU/UK) 120V (US)	
	Bemessungsfrequenz	50Hz (EU/UK) 60Hz (US)	
	Bemessungsleistung	1.0A maximal	
	Intonation	≤3 cent	
	Bereich	A2 ~ C5	

Besondere Aufmerksamkeit: Das Produkt ist ein elektronisches Produkt, es ist normal, dass es nach dem Einschalten des Horns (zwei Hörner oder eines der Hörner, Kopfhörer) den Klang der Strömung gibt. Bleiben Sie fern von Störquellen wie Radios, Routern, Fernsehern, Empfängern, Kühlschränken, Waschmaschinen usw.

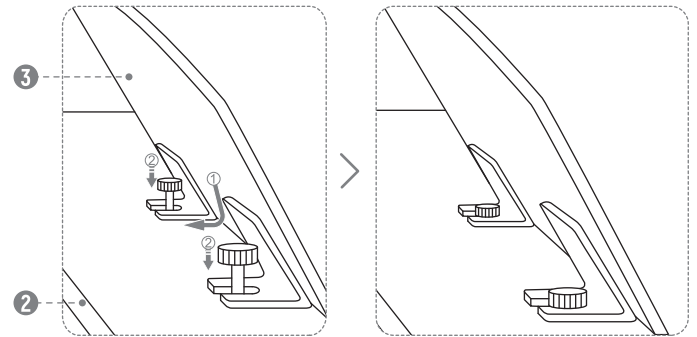
# INSTALLATION

! Stellen Sie sicher, dass alle Teile bei der Installation vollständig sind.  
Der Eigentümer und/oder Betreiber muss vor der Verwendung des Geräts diese Installationsanleitung sorgfältig lesen.

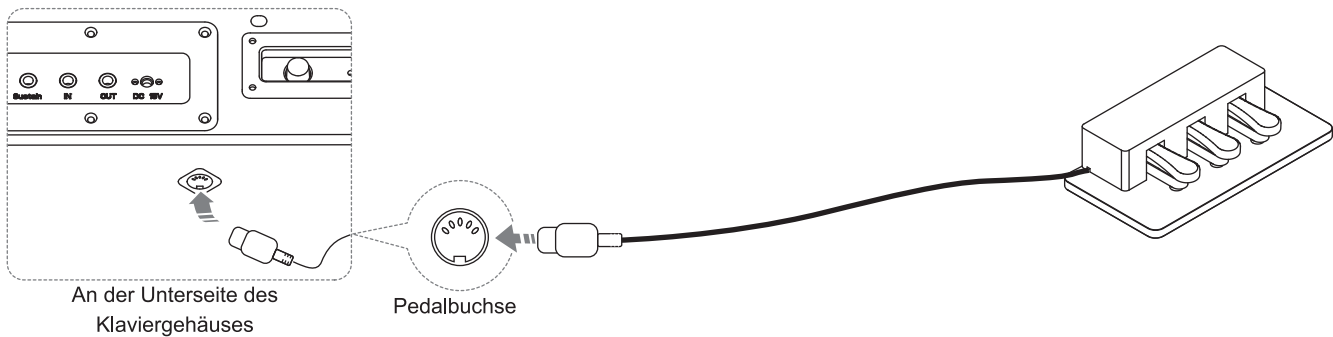
## 1. Installation des Piano-Ständer



## 2. Installation des Notenpults



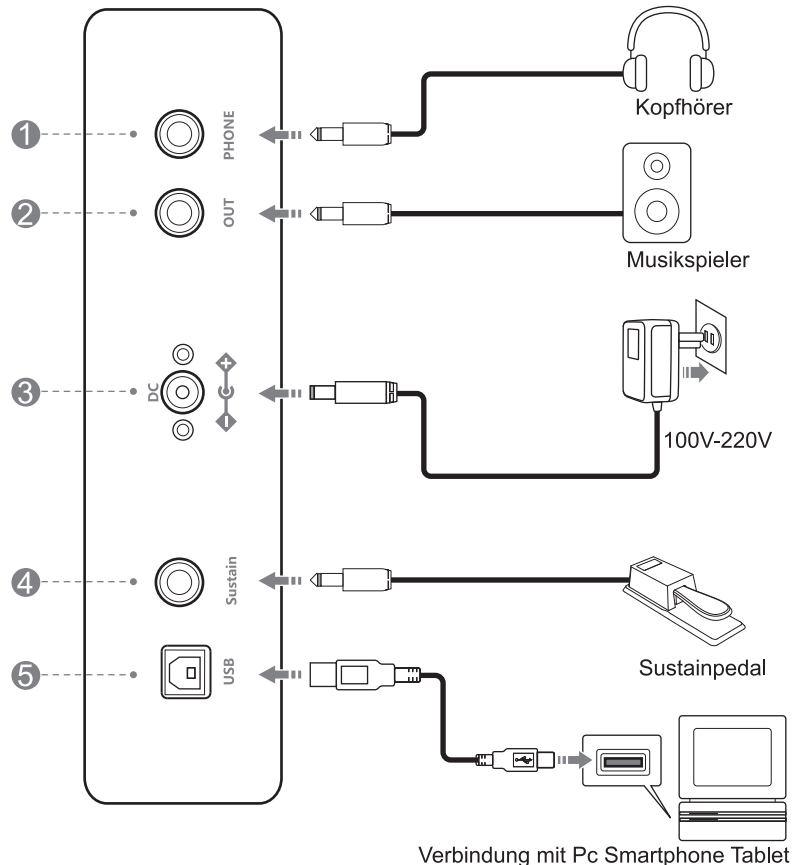
## 3. Installation der Pedalbuchse



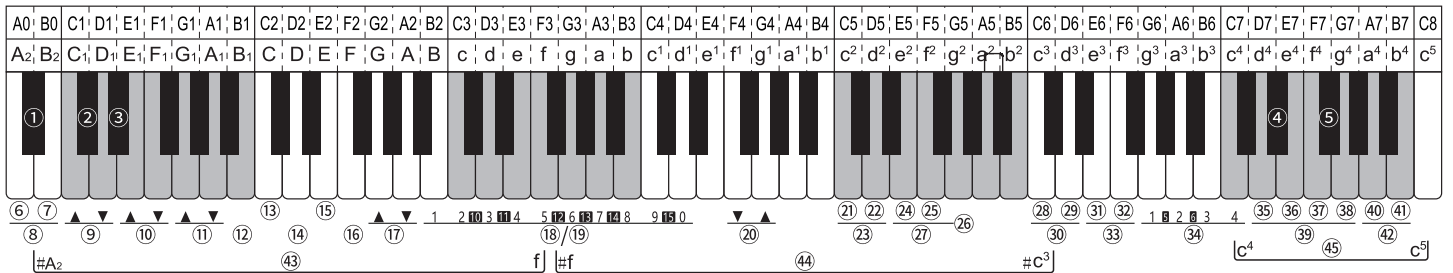
# ABBILDUNG DES SOCKELS

## Die Rückseite des Klaviers

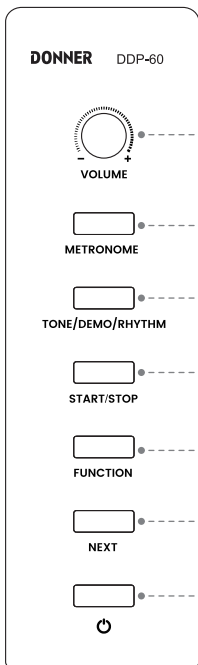
- 1 **Kopfhörerbuchse**  
Durch das Anschließen der Kopfhörer wird automatisch der Ausgang der integrierten Lautsprecher der Elektronik unterbrochen, sodass sie andere während des Spielens nicht stören.
- 2 **Audio-Ausgangsstecker**  
Die Audio-Ausgangsbuchse kann auf große Lautsprechergeräte externalisiert werden.
- 3 **Netzkabelanschluss**  
1. Schließen Sie bei Verwendung das Netzkabel wie in der Abbildung gezeigt an, stecken Sie ein Ende in die Steckdose im Bedienfeld an der Unterseite des Klaviers und das andere Ende in eine 100-V-220-V-Haushaltssteckdose.  
2. Wenn Sie dieses Produkt für eine lange Zeit nicht verwenden, ziehen Sie das Netzkabel ab und bewahren Sie es sicher auf.
- 4 **Das Verzögerungspedal**  
Dieses Produkt hat eine Verzögerung Pedalfunktion, wenn es ist verwendet, drücken Sie das Pedal nach Bedarf.
- 5 **USB-Transfer-Schnittstelle**  
Der USB-Transferanschluss mit diesem digitalen Klavier kann an den Computer angeschlossen werden. Lernen oder Spielen, Komposition, Speicherung und andere Funktionen durch vorinstallierte Musiksoftware auf dem Computer. Bearbeitete Musik- und Musiksoftware eingebaute Begleitung, kann mit der Software verbunden werden, um auf einem digitalen Klavier zu spielen, oder nach Begleitmusik zu spielen.



# ANLEITUNG



- |                     |                         |                                 |               |                 |
|---------------------|-------------------------|---------------------------------|---------------|-----------------|
| ① Zahlen -          | ⑩ Oktave                | ⑲ numerische Tasten             | ⑳ Einschalten | ㉓ Standard      |
| ② Sync Switch       | ⑪ Umschalten            | ⑳ Hell                          | ㉔ Ausschalten | ㉖ Schwer        |
| ③ Vorspiel / Ende   | ⑫ Speichereinstellungen | ㉑ Einschalten                   | ㉕ Nachhall    | ㉗ Stärke        |
| ④ Geschwindigkeit + | ⑬ Satz 1                | ㉒ Ausschalten                   | ㉖ Einschalten | ㉘ Einschalten   |
| ⑤ Geschwindigkeit - | ⑭ Satz 2                | ㉓ Zwei Töne                     | ㉗ Ausschalten | ㉙ Ausschalten   |
| ⑥ Einschalten       | ⑮ Satz 3                | ㉔ Einschalten                   | ㉘ Chor        | ㉚ Percussion    |
| ⑦ Ausschalten       | ⑯ Satz 4                | ㉕ Einschalten                   | ㉙ Metronome   | ㉛ Demonstration |
| ⑧ Akkorde           | ⑰ Speicher              | ㉖ Ausschalten                   | ㉚ Ausschalten | ㉜ Rhythmus      |
| ⑨ Begleitlautstärke | ⑱ Aufnahmespur          | ㉗ Dual-Tastatur / Doppelklavier | ㉛ Aus Licht   | ㉝ Ton           |



## Panel de control

- |                      |            |                                  |
|----------------------|------------|----------------------------------|
| ① Lautstärke         | ② Metronom | ③ Ton / Demonstration / Rhythmus |
| ④ Wiedergabe / Stopp | ⑤ Funktion | ⑥ Nächste                        |

## Tonauswahl

- Der voreingestellte Sound ist Acoustic Grand Piano Nr. 0 nach dem Einschalten.
- Halten Sie die Taste "TONE/RHYTHM/DEMO" gedrückt und drücken Sie gleichzeitig ein entsprechendes Timbre im Timbre-Bereich, um direkt "weiße Taste c4-c5" auszuwählen. Wechseln Sie dann in den Timbre-Modus.
- Sie können auch die Taste "NEXT" drücken oder die Taste "FUNCTION" gedrückt halten, während Sie die Taste "# A2 number-" drücken, um den Ton zu erhöhen oder zu verringern, oder Sie können die Taste "FUNCTION" gedrückt halten und gleichzeitig die entsprechende Taste "B-d1 Nummer" drücken zur Auswahl des Tons (Einzelheiten zum Ton finden Sie in der Tontabelle).

## Rhythmusauswahl

- Halten Sie die Taste "TONE/RHYTHM/DEMO" gedrückt und drücken Sie eine beliebige Schwarzweißtaste im Rhythmusbereich (# f-c3), um den Rhythmus auszuwählen und zu diesem Zeitpunkt in den Rhythmusmodus zu wechseln.
- Nach Eingabe der Rhythmusauswahl können Sie auch die Taste "NEXT" drücken oder die Taste "FUNCTION" gedrückt halten, während Sie die Taste "# A2 number-" drücken, um den Rhythmus zu erhöhen oder zu verringern.
- Sie können auch die Taste "FUNCTION" gedrückt halten und die Tastatur entsprechend der "Zifferntaste B-d1" drücken, um den Rhythmus auszuwählen (Einzelheiten zum Rhythmus finden Sie in der Rhythmus-Tabelle).
- Drücken Sie nach Abschluss der Auswahl die Taste "START / STOP", um die Rhythmuswiedergabe zu starten, und drücken Sie die Taste "START / STOP" erneut, um die Wiedergabe zu beenden.

## Demonstration Song-Auswahl

- Halten Sie die Taste "TONE/RHYTHM/DEMO" gedrückt und drücken Sie eine beliebige Schwarz-Weiß-Taste im Demo-Bereich (# A2-f), um einen Song auszuwählen. Wechseln Sie dann in den Song-Modus.
- Nach Eingabe der Songauswahl können Sie auch die Taste "NEXT" drücken oder die Taste "FUNCTION" gedrückt halten und die Taste "# A2 Nummer-" drücken, um den Rhythmus zu erhöhen oder zu verringern.
- Sie können auch die "FUNCTION" -Taste gedrückt halten und die Tastatur entsprechend der "B-d1-Zifferntaste" drücken, um ein Lied auszuwählen (Einzelheiten finden Sie in der Liedliste).
- Drücken Sie nach Abschluss der Auswahl die Taste "START / STOP", um die Wiedergabe des Songs zu starten, und drücken Sie erneut die Taste "START / STOP", um die Wiedergabe zu beenden.

## Demonstrationslied-Lehrfunktion

- Im Demonstrationsmodus (In den Demonstrationsmodus Siehe Demosongauswahlvorgang), halten Sie eine beliebige Schwarzweißtaste auf der Tastatur gedrückt (Demonstrationsbereich #A2-f), bevor Sie "START / STOP" drücken.
- Drücken Sie die Taste, um den Demo-Song-Lernmodus aufzurufen. Sie drücken zufällig eine Taste auf der Tastatur, um die Hauptmelodie abzuspielen. Wenn Sie die Hauptmelodie nicht drücken, wird die Wiedergabe beendet.
- Drücken Sie erneut die "START / STOP"-Taste, um den Modus zu beenden.

## Automatische Akkorde

- Drücken und halten Sie die Effekttaste, während Sie die Taste "A2 Chord On" auf der Tastatur drücken, um die automatischen Akkorde zu öffnen.
- Drücken und halten Sie die Effekttaste, während Sie die Taste "B2 Chord Off" auf der Tastatur drücken, um die automatischen Akkorde auszuschalten.

## Sync-Start und Sync-Off

- Drücken und halten Sie die Effekt-Taste, während Sie die "#C1 Sync"-Taste auf der Tastatur drücken, um den Synchronisierungsstart einzuschalten.
- Drücken Sie die Taste "#C1" erneut, um die Synchronisierung zu starten.

## Vorspiel / Ende

1. Halten Sie die "FUNCTION" -Taste gedrückt und drücken Sie gleichzeitig die "# D1Intro / Ending" -Taste auf der Tastatur. Drücken Sie dann die "START / STOP" -Taste, um das Intro abzuspielen.
2. Halten Sie während des Spielens des Rhythmus die Taste "FUNCTION" gedrückt und drücken Sie gleichzeitig die Taste "# D1 Prelude / Ending" auf der Tastatur, um mit dem Spielen des Endes zu beginnen.

## Begleitvolumen

Halten Sie die Effekttaste gedrückt, während Sie die Taste "C1 Accompaniment Volume Up" oder "D1 Accompaniment Volume Reduction" auf der Tastatur drücken, um die Begleitlautstärke zu erhöhen oder zu verringern.

## Oktave

Halten Sie die Effekttaste gedrückt, und drücken Sie dann "E1 Octo plus" oder "F1 Octodes" auf der Tastatur, zum plus Oktave oder Minus Oktave.

## Umschalten

Halten Sie die Effekttaste gedrückt, und drücken Sie dann die Taste "G1 Shift Plus" oder "A1 Shift and Decrease" auf der Tastatur, um 12 Halbtöne zu ± .

## Hell

Halten Sie die Effekttaste gedrückt, und drücken Sie dann "f1 Bright Minus" oder "g1 Bright Plus" auf der Tastatur, um die Klanghelligkeit anzupassen.

## Anrufen / Speichern

1. Halten Sie die "FUNCTION" -Taste gedrückt, drücken Sie dann eine der "CF-Einstellungen 1-4" -Tasten auf der Tastatur und drücken Sie dann lange die "Speichereinstellungen", um den ausgewählten Ton, Rhythmus, die Geschwindigkeit, die Lautstärke zu speichern. usw. Parameter
2. Halten Sie die Taste "FUNCTION" gedrückt, drücken Sie dann die Taste "C-F-Einstellungen 1-4" in den gerade gespeicherten Einstellungen und drücken Sie kurz die "Speichereinstellungen", um die gespeicherten Parameter abzurufen.
3. Das Klavier verfügt über 4 Speichereinstellungen, 4 Speicherbänke und insgesamt 16 Speichereinstellungen. Sie können zuerst die Taste "FUNCTION" gedrückt halten und dann die Taste "G Speicherbank Plus" oder "A Speicherbank Minus" drücken. auf der Tastatur. "Taste zur Auswahl der Speicher bank.

## Aufnahme / Wiedergabe

1. Drücken Sie lange die Taste "METRONOME" und drücken Sie "B-d1 Aufnahmespur" auf der Tastatur, um die Spur auszuwählen, die Sie nach dem Signalton aufnehmen möchten. Es gibt insgesamt "0-15" Spuren, von denen 1 -1 5 ist die Melodie-Spur, 0 ist die Begleit-Spur.
2. Wechseln Sie nach Auswahl der Aufnahmespur in den Aufnahmestatus. Spielen Sie zu diesem Zeitpunkt Klavier und starten Sie die Aufnahme. Die Metronomanzeige blinkt, um den Beginn der Aufnahme anzuzeigen
3. Drücken Sie lange die Taste "START / STOP", um die Aufnahme zu beenden. Zu diesem Zeitpunkt hört das Metronom auf zu blinken und verlässt den Aufnahmestatus.
4. Drücken Sie die Taste "START / STOP" erneut lange, um den aufgenommenen Ton wiederzugeben.
5. Löschen der Aufnahme: Halten Sie zuerst die Taste "METRONOME" gedrückt, rufen Sie den Aufnahmestatus auf, nachdem Sie den Aufforderungston gehört haben, und halten Sie dann die Taste "START / STOP" gedrückt, um alle Titelaufnahmen zu löschen.

## Zwei Töne

1. Wählen Sie einen Ton als ersten Ton der beiden Töne.
2. Drücken und halten Sie die Effekt-Taste, drücken Sie die Taste "c2 Doppelton" auf der Tastatur.
3. Zu diesem Zeitpunkt öffnen sich die beiden Töne, der zweite Ton entspricht dem 49. Ton .
4. Zu diesem Zeitpunkt Modus kann in den Ton-Modus, um den zweiten Ton zu ändern (siehe Tonauswahl-Operation).
5. Drücken und halten Sie die Effekt-Taste wieder, drücken Sie die Taste "d 2 Timbre dual Off" auf der Tastatur, um den zweifarbigen Modus zu verlassen.

## Dual-Tastatur / Doppelklavier:

1. Wählen Sie einen Ton als linken Bereich.
2. Halten Sie die Taste "FUNCTION" gedrückt und drücken Sie die Taste "e2 Dual Keyboard" auf der Tastatur, um den Dual Keyboard-Modus zu öffnen.
3. Wenn die Tastatur eingeschaltet ist, ist die Tastatur links und rechts in zwei identische Tastaturbereiche unterteilt. Der Teilungspunkt ist die Mitte C. Im Dual-Tastatur-Modus ist die Tonhöhe der Mitte C immer dieselbe wie die Tonhöhe ganz rechts C.
5. In diesem Modus können Sie in den Tonmodus wechseln, um den Ton im rechten Bereich zu ändern (Einzelheiten finden Sie unter Tonauswahl).
6. Halten Sie die "FUNCTION" -Taste gedrückt und drücken Sie die "f2 Doppelklavier" -Taste auf der Tastatur. Zu diesem Zeitpunkt haben alle Tastaturen auf der linken und rechten Seite Klaviersounds.
7. Halten Sie die "FUNCTION" -Taste gedrückt und drücken Sie die Taste "g2 Dual-Tastatur Doppelklavier Ausschalten" auf der Tastatur, um den Dual Keyboard- und den Dual Piano-Modus zu verlassen.

## Nachhall

1. Halten Sie die "FUNCTION" -Taste gedrückt und drücken Sie die "c3 Reverb On" -Taste auf der Tastatur, um den Reverb-Modus zu aktivieren. Zu diesem Zeitpunkt hat der Digitalpiano-Sound einen Reverb-Effekt.
2. Drücken Sie mehrmals die Taste "C3 Reverb", um die Art des Nachhalls zu ändern. Insgesamt gibt es 8 Nachhall-Effekte.
3. Halten Sie die "Effect" -Taste gedrückt und drücken Sie die "d3 Reverb Off" -Taste daneben, um den Hall auszuschalten.

## Chor

1. Halten Sie die Taste "FUNCTION" gedrückt und drücken Sie die Taste "e3 Chorus" auf der Tastatur, um den Chorus-Modus zu aktivieren. Zu diesem Zeitpunkt hat der Digitalpiano-Sound einen Chorus-Effekt.
2. Drücken Sie mehrmals die Taste "e3 Chorus", um den Nachhalltyp umzuschalten. Es gibt 8 Arten von Chorus-Effekten.
3. Halten Sie die Taste "FUNCTION" gedrückt und drücken Sie die Taste "f3 Chorus" daneben, um den Chorus-Effekt auszuschalten.

## Metronom

1. Halten Sie die Metronomtaste des Funktionsfelds gedrückt. Die Anzeigelampe leuchtet auf, um das Metronom abzuspielen.
2. Halten Sie die Taste "FUNCTION" gedrückt und drücken Sie die Taste "g3-b3 Beats 1-6" auf der Tastatur, um die Anzahl der Beats auszuwählen.

## Geschwindigkeit

1. Drücken und halten Sie die Effekt-Taste, drücken Sie die "Geschwindigkeit + #d4" auf der Tastatur, um den BPM-Wert zu beschleunigen.

2. drücken und halten Sie die Effekt-Taste, drücken Sie die "Geschwindigkeit - #f4" auf der Tastatur, um den BPM-Wert zu verlangsamen.
3. BPM-Bereich: 30-280.

### Stärke

1. Drücken und halten Sie die Effekt-Taste, drücken Sie die Taste "d4-g4 Force" auf der Tastatur, um die Festigkeitskurve der Tastatur auszuwählen.
2. Es gibt 5 Arten von Standardgeschwindigkeitskurven für "Aus, Leicht, Standard, Schwer" und Einschalten.

### Keyboard Percussion

1. Halten Sie die "FUNCTION" -Taste gedrückt, drücken Sie die "a4 Percussion On" -Taste auf der Tastatur, um den Tastatur-Percussion-Modus aufzurufen, und die Tastatur wird zu Percussion.
2. Halten Sie die Taste "FUNCTION" gedrückt und drücken Sie die Taste "b4 Percussion Off" neben der Tastatur, um die Tastaturpercussion auszuschalten.

## SICHERHEITSHINWEISE

### WARNUNG/VORSICHT

#### • Netzadapter

- Das Gerät ist für die Verwendung mit Standard-Innenwandsteckdosen geeignet.
- Bitte verwenden Sie nur das für dieses Produkt angegebene Netzkabel.
- Wenn das Gerät längere Zeit nicht benutzt wird, schalten Sie es bitte aus und ziehen Sie das Netzkabel ab.



#### • Rauch, Geruch und Überhitzung

- Wenn das Gerät raucht, einen Geruch abgibt oder sich überhitzt, sind die folgenden Maßnahmen sofort zu ergreifen, um das Risiko eines Brandes oder Stromschlags zu vermeiden.
  1. Schalten Sie das Gerät aus.
  2. Ziehen Sie den Netzstecker aus der Steckdose.
  3. Wenden Sie sich an die örtliche Agentur.

#### • Netzteil und Netzkabel

- Die unsachgemäße Verwendung von Netzteilen und Netzkabeln kann zu Brand- und Stromschlaggefahr führen. Die folgenden Vorsichtsmaßnahmen müssen beachtet werden:
  1. Es muss das für dieses Produkt angegebene Netzkabel verwendet werden.
  2. Es muss ein AC-Adapter verwendet werden, dessen Ausgangsspannung der Haushaltsspannung entspricht.
  3. Legen Sie das Netzkabel nicht in die Nähe von Wärme- und Feuchtigkeitsquellen.
  4. Überlasten Sie Steckdosen und Verlängerungskabel nicht.
  5. Stellen Sie keine schweren Gegenstände auf das Netzkabel.
  6. Verdrehen und knicken Sie das Netzkabel nicht.
  7. Fassen Sie das Netzkabel und den Stecker nicht mit nassen Händen an.
  8. Ziehen Sie den Netzstecker aus der Steckdose, wenn das Gerät nicht benutzt wird oder während eines Gewitters.
  9. Stellen Sie sicher, dass das Gerät ausgeschaltet ist, wenn Sie das Netzkabel anschließen oder abtrennen.
  10. Kinder sollten nicht mit dem Stecker und dem Netzkabel in Berührung kommen, wenn sie nicht von einem Erwachsenen beaufsichtigt werden.

#### • Wasser und Fremdkörper

- Bitte schalten Sie das Gerät aus und ziehen Sie den Netzstecker, um die Gefahr eines Brandes oder Stromschlags zu vermeiden, falls Wasser oder andere Fremdkörper in das Gerät gelangen.

#### • Demontage

- Zerlegen oder modifizieren Sie dieses Produkt nicht selbst, um das Risiko eines Brandes oder Stromschlages zu vermeiden.

#### • Handhabung und Transport

- Wenden Sie niemals übermäßige Kraft auf die Bedienelemente, Anschlüsse oder andere Teile des Geräts an.
- Halten Sie den Stecker beim Herausziehen des Kabels fest und ziehen Sie nicht mit Gewalt am Kabel.
- Ziehen Sie alle Kabel ab, bevor Sie das Gerät bewegen.
- Stöße, die durch Fallenlassen, Anstoßen oder Abstellen schwerer Gegenstände auf dem Gerät verursacht werden, können zu Kratzern und noch schwereren Schäden führen.

### • Platzierung

- Stellen Sie das Gerät nicht auf eine unebene Oberfläche oder eine andere instabile Stelle, um Schäden durch Herunterfallen zu vermeiden.

### • Schnittstelle

- Die Schnittstelle dieses Produkts darf nur an die angegebenen Geräte und Anlagen angeschlossen werden. Der Anschluss von nicht spezifizierten Geräten und Anlagen birgt die Gefahr von Bränden und Stromschlägen.

### • Plastiktüte

- Erstickungsgefahr! Halten Sie die Plastiktüte von Kindern fern.

### • Lautstärke

- Verwenden Sie das Musikinstrument nicht über einen längeren Zeitraum mit hoher Lautstärke. Eine hohe Lautstärke kann Ihr Gehör schädigen.

### • Reinigung

- Bitte ziehen Sie vor der Reinigung das Netzkabel aus der Steckdose, um das Risiko eines Brandes oder Stromschlags zu vermeiden.

## PROBLEMBEHANDLUNG

Problem	Grund	Lösungen
Es gibt keinen Ton, wenn Sie die Tastaturtaste drücken.	1. Der Lautstärkeregler wird auf die minimale"- " Position eingestellt. 2. Das Headset oder der Steckerkonverter wird an die Kopfhörerbuchse angeschlossen. 3. Das Netzteil ist nicht eingeschaltet oder das Klavier ausgeschaltet.	1. Drehen Sie den Lautstärkepegel in Richtung des richtigen maximalen Volumens. 2. Entfernen Sie den Originalstecker von der Kopfhörerbuchse. 3. Schalten Sie die Einschalt- und Einschalttaste ein.
Das Pedal funktioniert nicht.	1. Die Anschlussbuchse für das Pedal ist nicht an die Konsole angeschlossen. 2. Der Stecker an einem Ende des Pedals ist lose.	1. Der Stecker der Pedalleitung wird an die Hauptbuchse angeschlossen. 2. Prüfen Sie das Pedalkabel an einem Ende der drei Pedale lose ist, und schließen Sie es an.
Wenn das Klavier eingeschaltet oder ausgeschaltet ist. Es wird von einem Murren begleitet.	Normalen	Es ist normal, Gibt an, dass der Strom zu diesem Zeitpunkt in den Computer eindringt.
Bei Verwendung eines Mobiltelefons Lärm wird erzeugt.	Funkstörungen	Die Verwendung von Mobiltelefonen in der Nähe des Klaviers erzeugt Strahlung. Um dies zu vermeiden, schalten Sie Ihr Mobiltelefon aus oder verwenden Sie es vom Klavier weg.
Der Klang eines Tons oder Rhythmus ist ungewöhnlich.	Es gibt nicht genug Strom	Es gibt nicht genug Strom, um zu sehen, ob es stabil ist.
Es scheint, dass alle Klänge ausgesprochen werden Oder die Aussprache scheint abgeschnitten zu sein.	Normalen	Die maximale gleichzeitige Aussprache dieses Klaviers beträgt 128 Noten, und wenn der zweifarbige Modus verwendet wird und der Begleittyp oder die Musik wieder abgespielt wird, werden einige Noten/Klänge in der Begleitung oder Musik standardmäßig verwendet.
Bei gleichem Ton unterscheiden sich die Noten von den Noten.	Normalen	Dies ist normal, die Maschine verwendet die AWM-Quellmethode, diese Quelle ist die gesamte Schlüsselldomäne Segment Sampling-Aufnahme, so dass die beiden Noten haben etwas unterschiedliche Klangqualität.
Wenn Sie Ihren Computer anschließen, Der Computer erkennt das Klavier nicht.	Der USB-Stecker ist lose	Dieses Klavier muss keinen anderen Treiber installieren, wenn der Computer das Klavier nicht erkennt, überprüfen Sie, ob die USB-Kabelverbindung sicher ist, oder versuchen Sie, eine Verbindung zu den anderen USB-Anschlüssen des Computers herzustellen.

## PRODUKTWARTUNG UND -WARTUNG

Sorgfältige Wartung und Schutz dieses Produkts, um die Lebensdauer des Produkts zu verlängern, Fehler zu reduzieren hat eine sehr wichtige Rolle.

### 1. Vermeiden Sie Hitze, Feuchtigkeit oder direkte Sonneneinstrahlung

Überbelichten Sie das Gerät nicht direkter Sonneneinstrahlung oder platzieren Sie es in der Nähe einer Klimaanlage oder bei extremer Hitze.

### 2. Nicht in der Nähe des Fernsehers oder Radios verwenden

Dieses Produkt kann Video- oder Audiodstörungen am Empfang von Fernsehern und Radios verursachen. Verschieben Sie in diesem Fall das Gerät aus dem Fernseher oder Radio.

### 3. Verwenden Sie keine Farben, Verdüner oder ähnliche Chemikalien zur Reinigung

Reinigen Sie das Gerät mit einem weichen Tuch, das nass ist, mit einer schwachen wässrigen Lösung und einem neutralen Reinigungsmittel. Das Tuch in die Lösung einweichen und trocken schrauben, bis es fast trocken ist.

### 4. Nicht schütteln und Kollisionen vermeiden

Das Gerät sollte mit Vorsicht bewegt werden und sollte nicht heftig geschüttelt und kollidiert werden, um Schäden am Gehäuse oder an der internen Elektronik zu vermeiden.

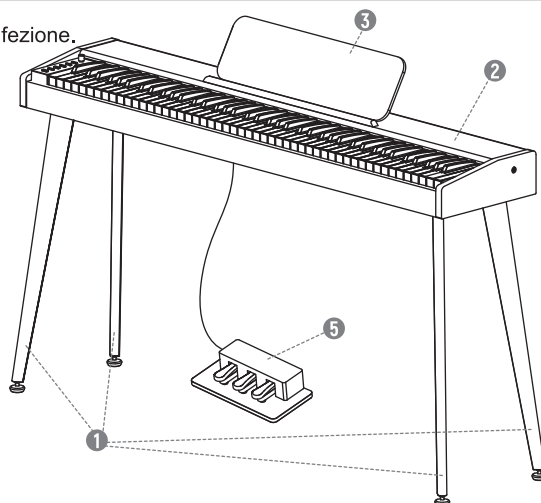
## Benvenuto a Donner

Grazie per aver acquistato il nostro prodotto, si prega di impiegare alcuni minuti per leggere le istruzioni che illustrano il modo d'uso, le funzioni e le operazioni sul prodotto ed assicurano l'installazione senza errori. Si prega di conservare le istruzioni per futuro riferimento.

### CONTENUTO DELLA CONFEZIONE

Controllare se il prodotto è in buone condizioni e se tutti gli accessori sono presenti nella confezione.

Nome	Quantità
1 Gambe di Sostegno per Pianoforte	4 PZ
2 Corpo del Pianoforte	1 PZ
3 Leggio	1 PZ
4 Viti M6*14mm	20 PZ
5 Triplo Pedale	1 PZ
6 Alimentatore	1 PZ
7 Manuale di Istruzioni	1 PZ



### SPECIFICHE DI PRODOTTO

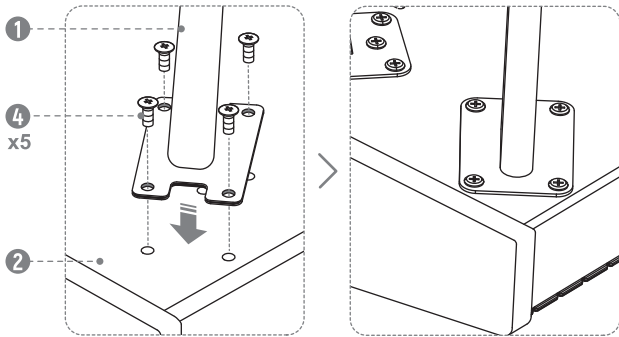
Nome del prodotto		Donner Pianoforte Digitale 88 Tasti Semi-Pesati	
Dimensione /Peso	Dimensioni prodotto	136*35.8*76.4cm (53.5*14.09*30.08inch)	
	Peso del prodotto	18.5kg (40.8pound)	
	Dimensione del pacchetto	141*38.5*25cm (55.5*15.2*9.8inch)	
	Peso del pacchetto	22kg (48.5pound)	
Controllo del gioco	Tastiera	Numero di tasti della tastiera	Tastiera semipesata a 88 tasti
		Risposta di potenza	Spento / Leggero / Standard / Pesante / Predefinito
Funzione	Polifonia	Numero di polifonia (massimo)	128
	Doppia tastiera		Supporto
	Doppio tono		Supporto
	Ritmo		83
	Tono		128
	Canzone demo		47
	Effetto		Riverbero(8 tipi, Profondità di riverbero commutabile e regolabile)
	Funzione di registrazione		Supporto
Metronomi	tipi		6
	Batti la velocità		30 ~ 280
Interfaccia di connessione	Presse di corrente		DC 12V 3A
	Presse per le cuffie		Supporto 6,35 mm (1/4 di pollice)
	Presse AUX OUT		Sì
	Presse USB-MIDI		Sì
	Presse per pedale		Sì
Sistema dell'audio	Potenza di uscita degli altoparlanti		≥15Wx2
Specifiche	Tensione Nominale		220-240V ~ (EU/UK) 120V (US)
	Frequenza Nominale		50Hz (EU/UK) 60Hz (US)
	Potenza Nominale		1.0A máximo
	Intonazione		≤3 centavo
	Gamma		A2 ~ C5

Promemoria speciale: questo prodotto è i prodotti elettronici, dopo l'accensione dell'altoparlante (due altoparlanti o uno degli altoparlanti, cuffie) ci sono alcuni suoni attuali per il fenomeno normale. Necessità di tenere lontano da apparecchi e attrezzature RF con motore queste fonti di interferenza, come ad esempio: radio, router, TV, ricevitore, frigorifero, lavatrice, ecc.

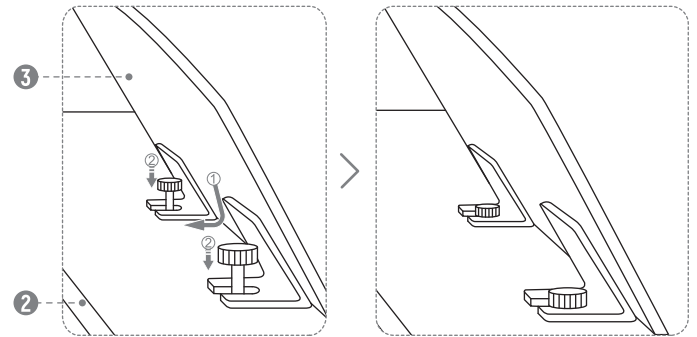
# INSTALLAZIONE

⚠ Controllare che tutte le parti siano complete e intatte prima di effettuare l'installazione.  
Il proprietario e/o l'operatore devono leggere le istruzioni per l'installazione prima di usare lo strumento.

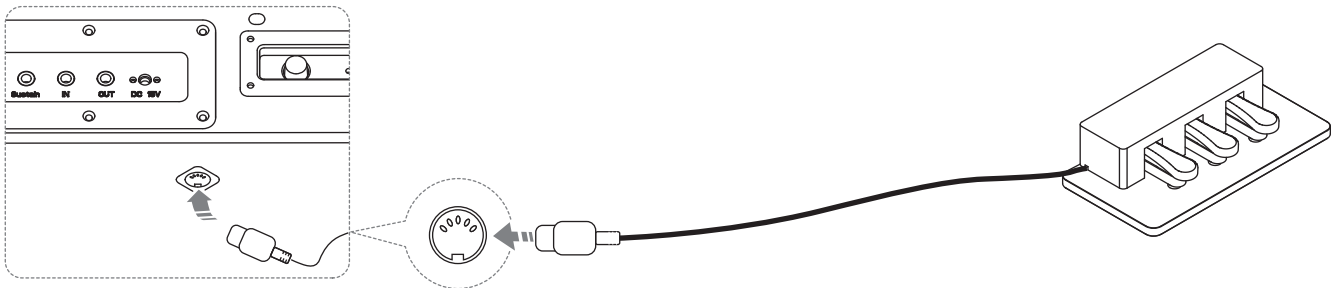
## 1. Installazione delle Gambe di Sostegno per Pianoforte



## 2. Installazione del Leggio



## 3. Installazione presa pedale



Sul fondo del corpo del pianoforte

Presca Per Gruppo Pedali

# IMAGEN DE LOS CONECTORES

## Parte posteriore del pianoforte digitale

### 1 Presa per le cuffie

Il collegamento delle cuffie interrompe automaticamente l'uscita dell'altoparlante incorporato del piano elettronico, in modo da non disturbare le altre persone durante la riproduzione.

### 2 Spina di uscita audio

Il jack di uscita audio può essere collegato a un grande dispositivo di altoparlanti.

### 3 Collegamento del cavo di alimentazione

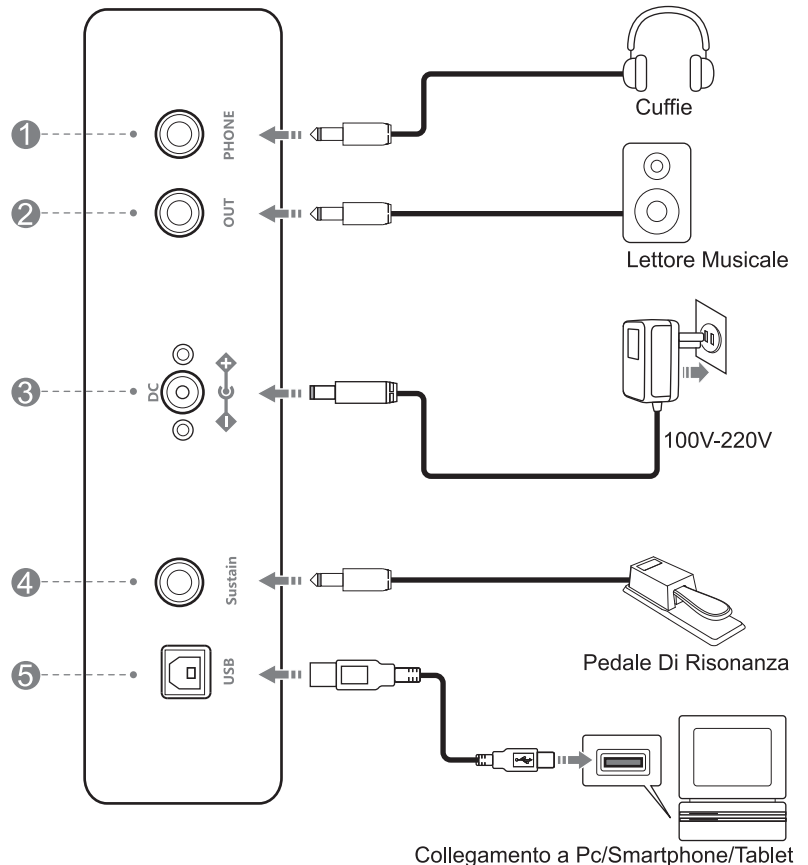
- Quando si usa il prodotto, inserire il cavo di alimentazione come mostrato, un'estremità nella presa di corrente nel pannello operativo sul fondo del piano, e l'altra estremità in una presa di corrente domestica da 100V-2V.
- Quando non si utilizza il prodotto per un lungo periodo, si prega di scollegare il cavo di alimentazione e conservarlo correttamente.

### 4 Pedale sustain

Questo prodotto ha una funzione di pedale sustain, si prega di pestare il pedale come necessario quando si usa.

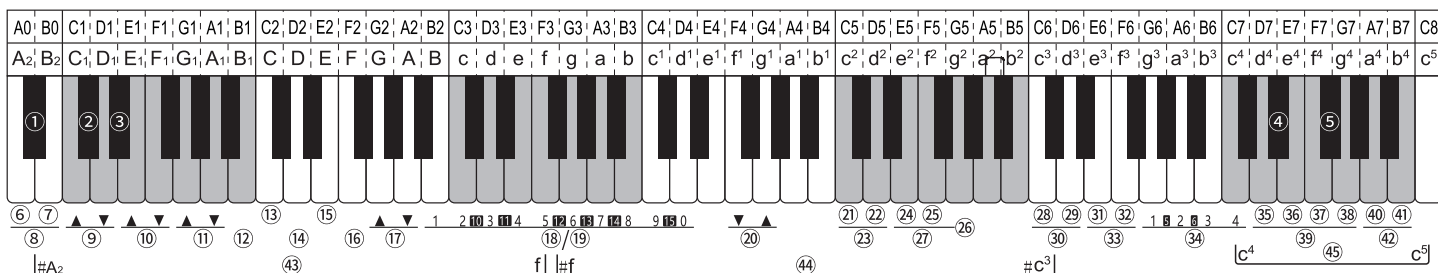
### 5 Porta USB

La porta USB di questo pianoforte digitale può essere collegata al computer. Con il software musicale preinstallato sul computer, è possibile imparare o suonare la tastiera per suonare, comporre, memorizzare e altre funzioni. La musica modificata e l'accompagnamento incorporato del software musicale possono essere collegati al piano digitale attraverso il software per la riproduzione o la riproduzione secondo la musica di accompagnamento.

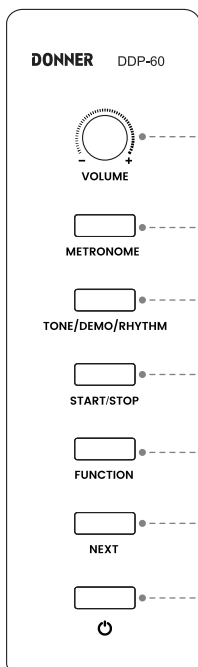


Collegamento a Pc/Smartphone/Tablet

# GUIDA OPERATIVA



- |                                    |                            |                               |               |                |
|------------------------------------|----------------------------|-------------------------------|---------------|----------------|
| ① Numero-                          | ⑩ Octave                   | ⑱ Tasti numerici              | ⑳ On          | ⑳ Standard     |
| ② interruttore di sincronizzazione | ⑪ Trasporre                | ⑲ Luminosità                  | ㉑ Off         | ㉑ Pesante      |
| ③ Introduzione/Fine                | ⑫ Impostazione memoria     | ㉒ On                          | ㉒ Riverbero   | ㉒ Forza        |
| ④ Tempo +                          | ⑬ Impostazione 1           | ㉓ Off                         | ㉓ Doppio tono | ㉓ On           |
| ⑤ Tempo -                          | ⑭ Impostazione 2           | ㉔ On                          | ㉔ On          | ㉔ Off          |
| ⑥ On                               | ⑮ Impostazione 3           | ㉕ On                          | ㉕ Coro        | ㉕ Percussione  |
| ⑦ Off                              | ⑯ Impostazione 4           | ㉖ On                          | ㉖ Metronomo   | ㉖ Canzone demo |
| ⑧ Accordo                          | ⑰ Banco di memoria         | ㉗ Off                         | ㉗ Spento      | ㉗ Ritmo        |
| ⑨ Volume dell'accompagnamento      | ⑱ Traccia di registrazione | ㉘ Doppia tastiera, dual piano | ㉘ Leggero     | ㉘ Tono         |



- |                |             |                       |
|----------------|-------------|-----------------------|
| ① Volume       | ② Metronomo | ③ Tono / Demo / Ritmo |
| ④ START / STOP | ⑤ Funzione  | ⑥ IL PROSSIMO         |

## Selezione del tono

1. Il tono preimpostato è il tono Acoustic Grand Piano #0 dopo l'accensione.
2. Tenere premuto il pulsante "TONE/ DEMO/ RHYTHM", e allo stesso tempo premere una delle selezioni dirette di tono corrispondenti nell'area di tono "White key c4-c5", quindi entrare nella modalità di tono.
3. Può anche premere il pulsante "NEXT" o tenere premuto il pulsante "FUNCTION" mentre premete il tasto "#A2 number-" per aggiungere o sottrarre toni.  
Si può anche tenere premuto il pulsante "FUNCTION" mentre si preme il corrispondente "tasto numerico B-d1" sulla tastiera per selezionare un tono (vedere la tabella dei toni per i dettagli).

## Selezione del ritmo

1. Tieni premuto il pulsante "TONE/ DEMO/ RHYTHM", e premi uno qualsiasi dei tasti bianchi e neri nell'area del ritmo (#f-c3) per selezionare un ritmo, poi entra nella modalità ritmo.
2. Dopo aver inserito la selezione del ritmo, si può anche premere il pulsante "NEXT" o tenere premuto il pulsante "FUNCTION" mentre si preme il tasto "#A2 number-" per aggiungere o sottrarre ritmi.
3. Puoi anche tenere premuto il pulsante "FUNCTION" mentre premi il corrispondente "tasto numerico B-d1" sulla tastiera per selezionare il ritmo (vedi la tabella dei ritmi per i dettagli).
4. Premere il pulsante "START/STOP" per iniziare il ritmo dopo la selezione, premere nuovamente il pulsante "START/STOP" per fermare la riproduzione.

## Selezione della canzone demo

1. Tieni premuto il pulsante "TONE/ DEMO/ RHYTHM", e premi uno qualsiasi dei tasti bianchi e neri nell'area demo (#A2-f) per selezionare una canzone, poi entra nella modalità canzone.
2. Dopo aver inserito la selezione della canzone, puoi anche premere il pulsante "NEXT" o tenere premuto il pulsante "FUNCTION" mentre premi il pulsante "#A2 number-" per aumentare o diminuire il ritmo.
3. Puoi anche tenere premuto il pulsante "FUNCTION" mentre premi il corrispondente "tasto numerico B-d1" sulla tastiera per selezionare una canzone (vedi la lista delle canzoni per i dettagli).
4. Premere il pulsante "START/STOP" per avviare il brano dopo la selezione, e premere nuovamente il pulsante "START/STOP" per fermare la riproduzione.

## Funzione di insegnamento della musica dimostrativa

1. In modalità demo (vedi selezione demo per i dettagli), tenere premuto uno qualsiasi dei tasti bianchi e neri della tastiera (area demo #A2-f), e poi premere "START/STOP".
2. Premere il pulsante "START/STOP" per entrare nella modalità dimostrativa, si preme un tasto a caso per iniziare la melodia principale, se non si preme la melodia principale, si smette di suonare.
3. Premere nuovamente il pulsante "START/STOP" per uscire dalla modalità.

## Accordi automatici

1. Tenere premuto il pulsante "FUNCTION" mentre si preme il pulsante "A2 Chord On" sulla tastiera per attivare l'Auto Chord.
2. Tenere premuto il pulsante "FUNCTION" mentre si preme il pulsante "B2 Chord Off" sulla tastiera per disattivare l'Auto Chord.

## Sincronizzazione on e off

1. Tenere premuto il pulsante "FUNCTION", mentre si preme il pulsante "#C1 Sync" sulla tastiera per attivare il Sync On.
2. Premere nuovamente il pulsante "#C1 Sync" per disattivare la sincronizzazione.

## Introduzione/Fine

1. Tieni premuto il pulsante "FUNCTION" mentre premi il pulsante "#D1 Prelude/Ending" sulla tastiera e poi premi il pulsante "START/STOP" per iniziare

a suonare l'intro.

2. Durante il ritmo, tieni premuto il pulsante "FUNCTION", mentre premi il pulsante "#D1 Prelude/Ending" sulla tastiera per iniziare a suonare i finali.

### **Volume di accompagnamento**

Tiene premuto il pulsante "FUNCTION", mentre premi il pulsante "C1 Accompaniment Volume Up" o "D1 Accompaniment Volume Down" sulla tastiera per aumentare o diminuire il volume dell'accompagnamento.

### **Octave**

Tieni premuto il pulsante "FUNCTION", poi premi "E1 Octave Plus" o "F1 Octave Minus" sulla tastiera per aggiungere o sottrarre ottave in alto o in basso.

### **Trasporre**

Tenere premuto il pulsante "FUNCTION", quindi premere "G1 Transpose Plus" o "A1 Transpose Minus" sulla tastiera per spostare di  $\pm 12$  semitoni.

### **Luminosità**

Tenere premuto il pulsante "FUNCTION", poi premere "f1 bright minus" o "g1 bright plus" sulla tastiera per regolare la luminosità del suono.

### **Trasferimento/Salvataggio**

1. Tenere premuto il pulsante "FUNCTION", poi premere uno qualsiasi dei pulsanti "C-F Settings 1-4" sulla tastiera e tenere premuto "Memory Settings" per salvare il tono, il ritmo, il tempo, il volume e altri parametri selezionati.
2. Tenere premuto il pulsante "FUNCTION", poi premere il pulsante "C-F Settings 1-4" e premere brevemente "Memory Settings" per richiamare i parametri appena salvati.
3. Ci sono 4 impostazioni salvate e 4 bank di memoria, in totale 16 impostazioni di memoria, è possibile tenere premuto il pulsante "FUNCTION", quindi premere il tasto "G memory bank plus" o "A memory bank minus" sulla tastiera per selezionare il banco di memoria.

### **Registrazione/Riproduzione**

1. Tieni premuto il pulsante "METRONOME", premi "B-d1 Record Track" sulla tastiera per selezionare la traccia che vuoi registrare, ci sono tracce "0-15", dove 1-15 è la traccia della melodia, 0 è la traccia di accompagnamento.
2. Dopo aver scelto la traccia di registrazione nello stato di registrazione, poi suonare il pianoforte per iniziare la registrazione, l'indicatore del metronomo lampeggia per indicare l'inizio della registrazione.
3. Premere a lungo il pulsante "START/STOP" per terminare la registrazione, poi il metronomo smetterà di lampeggiare e uscirà dallo stato di registrazione.
4. Tenere premuto il pulsante "START/STOP" di nuovo per riprodurre il suono registrato.
5. Borrado de grabación: mantenga presionado el botón "METRONOME", el sonido de aviso significa que el producto ingresa al modo de grabación, y luego mantenga presionado el botón "START / STOP" para borrar todas las grabaciones de pistas.

### **Doppio tono**

1. Selezionare un tono come primo timbro del Dual Tone.
2. Tenere premuto il pulsante "FUNCTION" e premere il tasto "c2 Dual Tone" sulla tastiera.
3. In questo momento, il doppio tono è aperto, il secondo tono predefinito è il 49° tono.
4. Questa modalità può entrare nella modalità tono per cambiare il secondo tono (vedere l'operazione di selezione del tono).
5. Tenere premuto il pulsante "FUNCTION" di nuovo, e premere il tasto "d 2 Dual Tone Off" sulla tastiera per uscire dalla modalità Dual Tone.

### **Doppia tastiera/dual piano**

1. Selezionare un tono per l'area sinistra.
2. Tenere premuto il pulsante "FUNCTION", premere il tasto "e2 dual keyboard" sulla tastiera per aprire la modalità dual keyboard.
3. Quando la tastiera è aperta, è divisa in 2 aree di tastiera identiche, con il Do centrale. Nella modalità a doppia tastiera, l'altezza del Do centrale è sempre uguale a quella del Do più a destra.
4. In questa modalità si può entrare nella modalità tono per cambiare il tono dell'area destra (vedere l'operazione di selezione del tono).
5. Tenere premuto il pulsante "FUNCTION", premere il tasto "f2 doppio piano" sulla tastiera, il lato sinistro e destro della tastiera sarà il tono di pianoforte.
6. Tenere premuto il pulsante "FUNCTION", premere il tasto "g2 dual keyboard dual piano off" sulla tastiera per uscire dalla modalità dual keyboard e dual piano.

### **Riverbero**

1. Tenere premuto il pulsante "FUNCTION", premere il tasto "c3 Reverb On" sulla tastiera per attivare la modalità di riverbero, poi il piano digitale suonerà con effetto riverbero.
2. Premere più volte il pulsante "C3 Reverb" per cambiare il tipo di riverbero, ci sono 8 tipi di effetti di riverbero.
3. Tenere premuto il pulsante "FUNCTION" e premere il pulsante "d3 Reverb Off" accanto ad esso per spegnere il riverbero.

### **Coro**

1. Tenere premuto il pulsante "FUNCTION", premere il pulsante "e3 Chorus" sulla tastiera per attivare la modalità chorus, poi il piano digitale suonerà il suono con effetto chorus.
2. Premere più volte il pulsante "e3 Chorus" per cambiare il tipo di riverbero, ci sono 8 tipi di effetto chorus.
3. Tenere premuto il pulsante "FUNCTION" e premi il pulsante "f3 Chorus" accanto ad esso per spegnere l'effetto chorus.

### **Metronomo**

1. Tenere premuto il pulsante del metronomo della scatola delle funzioni, la spia sarà accesa per suonare il metronomo.
2. Tenere premuto il pulsante "FUNCTION", premere il tasto "g3-b3 beat 1-6" sulla tastiera per selezionare il numero di battiti.

### **Velocità**

1. Tenere premuto il pulsante "FUNCTION" e premi "#d4 Tempo +" sulla tastiera per aumentare il valore BPM della velocità.
2. Tenere premuto il pulsante "FUNCTION", premere "#f4 Tempo -" sulla tastiera per rallentare il valore BPM della velocità.
3. Gamma di BPM: 30-280

### **Forza**

1. Tenere premuto il pulsante "FUNCTION", premere il pulsante "forza d4-g4" sulla tastiera per selezionare la curva di forza della tastiera.

2. Ci sono 5 tipi di curve d'intensità: "off, light, standard, heavy" e l'accensione di default.

### Percussione a tastiera

1. Tenere premuto il pulsante "FUNCTION", premere il pulsante "a4 percussion on" sulla tastiera per entrare nella modalità percussione della tastiera in questo momento la tastiera diventa percussione.
2. Tenere premuto il pulsante "FUNCTION", premere il pulsante "b4 percussion off" accanto alla tastiera per spegnere la percussione della tastiera.

## ISTRUZIONI DI SICUREZZA

### AVVERTENZE/AVVISI

#### ● Alimentatore

- Questo prodotto è destinato all'uso con le prese a muro standard domestici.
- Usare solo il cavo di alimentazione specificato per questo prodotto.
- Se si prevede di lasciare il prodotto inutilizzato per un lungo periodo di tempo, spegnere il prodotto e scollegare il cavo di alimentazione.



#### ● Fumo, odore, surriscaldamento

- Quando il prodotto emette un fumo o un odore o si surriscalda, fare immediatamente quanto segue in modo da evitare il rischio di incendi e folgorazione.
  1. Spegnerne il prodotto.
  2. Staccare la spina dalla presa di corrente.
  3. Rivolgersi al rivenditore locale.

#### ● Fuente de Alimentación y Cable de Alimentación

- El uso inapropiado de la fuente de alimentación y del cable de alimentación puede ocasionar el peligro de incendio y choque eléctrico. Hay que observar las siguientes precauciones:
  1. Se deben utilizar los cables de alimentación especificados por el producto.
  2. Se debe utilizar un adaptador de corriente de CA con voltaje de salida dentro del voltaje nominal doméstico.
  3. No coloque el cable de alimentación cerca del calor y las fuentes mojadas.
  4. No sobrecargue los tomacorrientes de pared y los cables de extensión.
  5. No coloque objetos pesados sobre los cables de alimentación.
  6. No retuerza ni doble los cables de alimentación.
  7. No utilice manos mojadas para tocar el cable de alimentación y el enchufe.
  8. Desenchufe el cable de alimentación del tomacorriente cuando no utilice el instrumento o durante una tormenta eléctrica.
  9. Asegúrese de que se haya apagado la energía cuando conecte o desenchufe el cable de alimentación.
  10. No permita que los niños toquen el enchufe y el cable de alimentación sin la supervisión de un adulto.

#### ● Agua y Materias Extrañas

- Apague la energía y desenchufe el cable de alimentación para evitar el peligro de incendio y choque eléctrico cuando el agua y otras materias extrañas entren en el producto.

#### ● Desmontaje

- No desmonte ni modifique el producto para evitar el peligro de incendio y choque eléctrico.

#### ● Manipulación y transporte

- Nunca aplique fuerza excesiva a los controles, conectores u otras partes del instrumento.
- Agarre firmemente el enchufe mientras desenchufe los cables, nunca tire de los cables con fuerza.
- Desconecte todos los cables antes de mover el instrumento.
- Los golpes causados por caídas, colisiones contra el instrumento o la colocación de objetos pesados sobre él pueden ocasionar arañazos e incluso daños más severos.

#### ● Colocación

- No coloque el producto en una superficie irregular o cualquier otro lugar inestable para evitar cualquier daño de caída.

**● Puerto**

- Los puertos del producto solo se pueden conectar el equipo y los dispositivos especificados. La conexión del equipo o los dispositivos no designados tiene el riesgo de incendio y choque eléctrico.

**● Bolsa de Plástico**

- Mantenga la bolsa de plástico alejada del niño para evitar la asfixia.

**● Volumen**

- No utilice el instrumento a alto volumen durante largo período de tiempo. Un alto volumen puede dañar su audición.

**● Limpieza**

- Retire el cable de alimentación del tomacorriente antes de limpiar el producto para evitar el daño de incendio y choque eléctrico.

## RISOLUZIONE DEI GUASTI

Problema	Causa	Soluzioni
Nessun suono quando si premono i tasti della tastiera	1. Il controllo del volume è impostato sulla posizione minima "-". 2. Le cuffie o gli adattatori sono inseriti nel jack delle cuffie 3. L'alimentazione non è accesa o lo strumento è spento	1. Girare il livello del volume nella direzione del volume massimo di destra "+". 2. Scollegare il collegamento originale dal jack delle cuffie. 3. Accendere l'alimentazione, e premere il pulsante On.
Il pedale non funziona	1. Il pedale del cavo di collegamento del pedale non è collegato all'unità principale 2. Il pedale a un'estremità del pedale è allentata	1. Inserire il cavo del pedale nella presa dell'unità principale. 2. Controllare che la spina all'estremità del cavo del pedale che si collega ai tre pedali non sia allentata e collegala saldamente.
Un rumore appare quando si accende o si spegne lo strumento	Fenomeno normale	Questo è normale e indica che la corrente sta entrando nella macchina in questo momento.
Il rumore è generato quando si usa un telefono cellulare	interferenza delle onde radio	L'uso del telefono cellulare in prossimità del pianoforte può generare radiazioni. Per evitare ciò, spegna il cellulare o usalo lontano dal pianoforte.
Anomalie sonore tonali o ritmiche	Potenza insufficiente	Potenza insufficiente, vedere se la potenza è stabile.
Sembra che tutti i toni siano pronunciati o la pronuncia sembra essere tagliata	Fenomeno normale	Il numero massimo di voicings simultanei per questo strumento è di 128 note. Se la modalità Dual Tone è in uso mentre un tipo di accompagnamento o un pezzo sta suonando, alcune note/voci nell'accompagnamento o nel pezzo saranno predefinite.
Differenza da nota a nota nella qualità del tono a parità di timbro	Fenomeno normale	Si tratta di un fenomeno normale. La macchina utilizza il metodo della sorgente sonora AWM, che è una registrazione a campionamento segmentato dell'intera gamma di tasti, quindi la qualità del suono delle due note è leggermente diversa.
Lo strumento non viene riconosciuto dal computer quando è collegato al computer.	La spina USB è allentata.	Se il computer non riconosce lo strumento, si prega di controllare se il cavo USB è saldamente collegato, o provare a connettersi a un'altra porta USB del computer.

## CURA E MANUTENZIONE DEL PRODOTTO

Fare attenta la manutenzione e protezione di questo prodotto è molto importante per prolungare la vita utile del prodotto e ridurre i guasti.

**1. Evitare il calore, l'umidità o la luce diretta del sole**

Non esporre il prodotto a un'eccessiva luce solare diretta, o posizionarlo vicino a un condizionatore d'aria, o in un luogo caldo.

**2. Non usare vicino a televisori o radio**

Questo prodotto può causare interferenze video o audio con la ricezione di televisori e radio. Se questo accade, il prodotto deve essere rimosso dal televisore o dalla radio.

**3. Non usare i vernici, diluenti o prodotti chimici simili per la pulizia.**

Pulire il prodotto con un panno morbido inumidito con una soluzione di acqua debole e detergente neutro. Immergere il panno nella soluzione e strizzarlo finché non è quasi asciutto.

**4. Non scuotere ed evitare le collisioni**

Il prodotto deve essere posizionato con attenzione e delicatamente quando viene spostato, e lo scuotimento violento e la collisione sono strettamente proibiti per evitare di rompere il guscio o danneggiare i componenti elettronici all'interno.

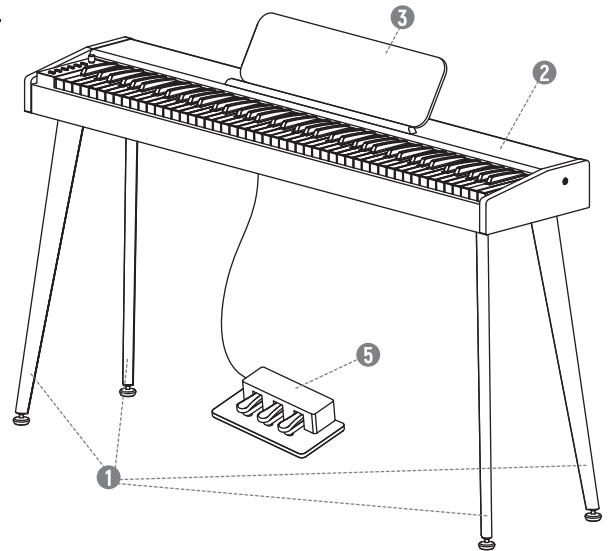
## Bienvenido a Donner

Muchas gracias por comprar nuestro producto, por favor tómese unos minutos para leer este manual de instrucciones del producto, le mostrará cómo usarlo y le explicará cómo funciona y opera el dispositivo, y le ayudará a instalar el dispositivo sin problemas. Por favor, guarde este manual de instrucciones para su consulta en el futuro.

### LISTA DEL PRODUCTO

Confirme que el producto esté en buena condición y si los accesorios están incluidos.

Nombre	Cantidad
① Pata de Piano	4 PCS
② Cuerpo de Piano	1 PC
③ Puesto de Música	1 PC
④ Tornillos M6*14 mm	20 PCS
⑤ Pedal Triple	1 PC
⑥ Adaptador de Corriente	1 PC
⑦ Manual	1 PC



### ESPECIFICACIONES DEL PRODUCTO

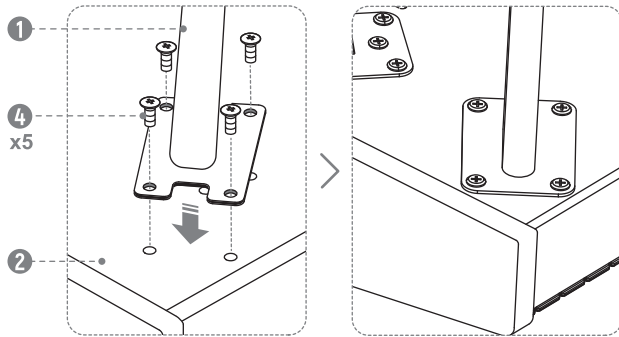
Nombre del producto		Donner Piano digital semicontrapeso de 88 teclas	
Talla/Peso	Tamaño del producto	136*35.8*76.4cm (53.5*14.09*30.08inch)	
	Peso del producto	18.5kg (40.8pound)	
	Tamaño del paquete	141*38.5*25cm (55.5*15.2*9.8inch)	
	Peso del paquete	22kg (48.5pound)	
Control de desempeño	Teclado	Número de teclas	Teclado de 88 teclas
		Respuesta dinámica	Apagado/ligero/estándar/pesado /predeterminado
Funciones	Polifonía	Número de polifonía (máximo)	128
	Teclado dual	Compatibilidad	
	Timbre dual	Compatibilidad	
	Ritmo	83	
	Timbre	128	
	Demostración	47	
	Efectos	Reverberación(8 tipos, Conmutable & Profundidad de reverberación ajustable)	
	Función de grabación	Compatibilidad	
Metrónomo	tipos	6	
	Batir la velocidad	30 ~ 280	
Interfaz de conexión	Toma de corriente	DC 12V 3A	
	Toma de auriculares	Compatibilidad 6.35mm (1/4-inch)	
	Toma AUX OUT	Sí	
	Toma USB-MIDI	Sí	
	Conector de pedal	Sí	
Sistema de sonido	Potencia de salida del altavoz	≥15Wx2	
Especificaciones	Voltaje Nominal	220-240V ~ (EU/UK)	
		120V (US)	
	Frecuencia Nominal	50Hz (EU/UK)	
		60Hz (US)	
	Potencia Nominal	1.0A máximo	
Entonación	≤3 centavo		
Extensión	A2 ~ C5		

Recordatorio especial: Este es un producto electrónico. Después del encendido, el sonido actual en los altavoces (dos altavoces o uno de los altavoces (auriculares)) es normal. Mantenga el producto alejado de fuentes de interferencia, como aparatos de radiofrecuencia y equipos con motores, como radios, enrutadores, televisores, receptores, refrigeradores, lavadoras, etc.

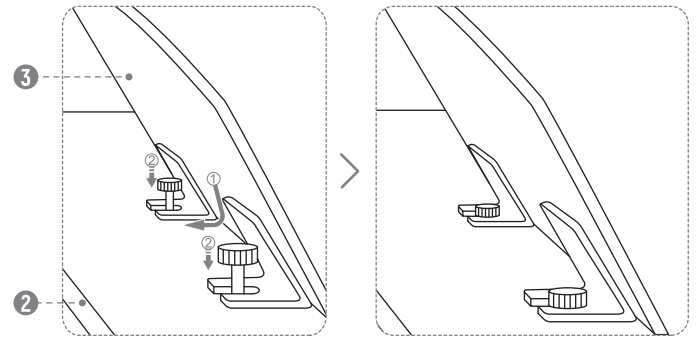
## INSTALACIÓN

**!** Asegúrese de que todos los componentes sean completos al instalar.  
El propietario y/o el operario debe leer los contenidos de instalación antes de utilizar el instrumento.

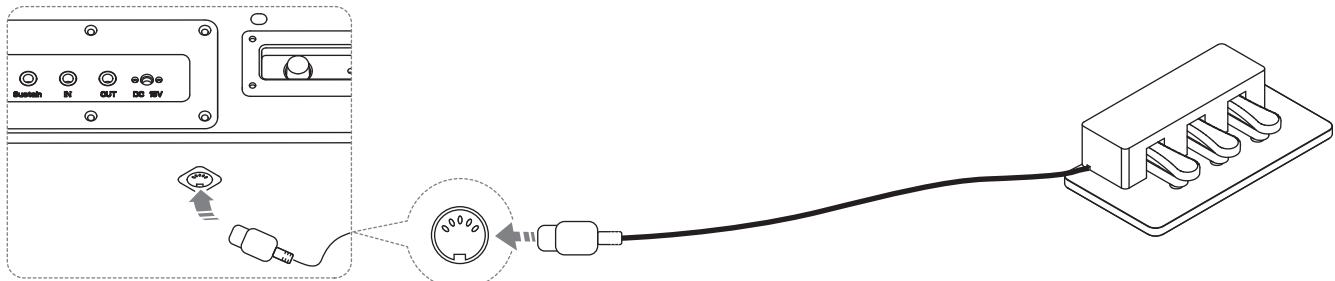
### 1. Instalación de las patas de piano



### 2. Instalación de puesto de música



### 3. Instalación de enchufe de pedal



En la parte inferior del cuerpo de piano

Toma De Pedal

## IMAGEN DE LOS CONECTORES

### Parte posterior del piano

#### 1 Puerto de auriculares

Después de conectar los auriculares, la salida del altavoz integrado del teclado electrónico se corta automáticamente para que su interpretación no moleste a otras personas.

#### 2 Conector de salida de audio

La toma de salida de audio se puede conectar a un dispositivo de altavoz grande.

#### 3 Conexión del cable de alimentación

1. Conecte el cable de alimentación como se muestra en la imagen durante el uso. Enchufe un extremo en la toma de corriente en el panel de operación en la parte inferior del piano y enchufe el otro extremo en una toma de corriente doméstica de 100 V-220 V.

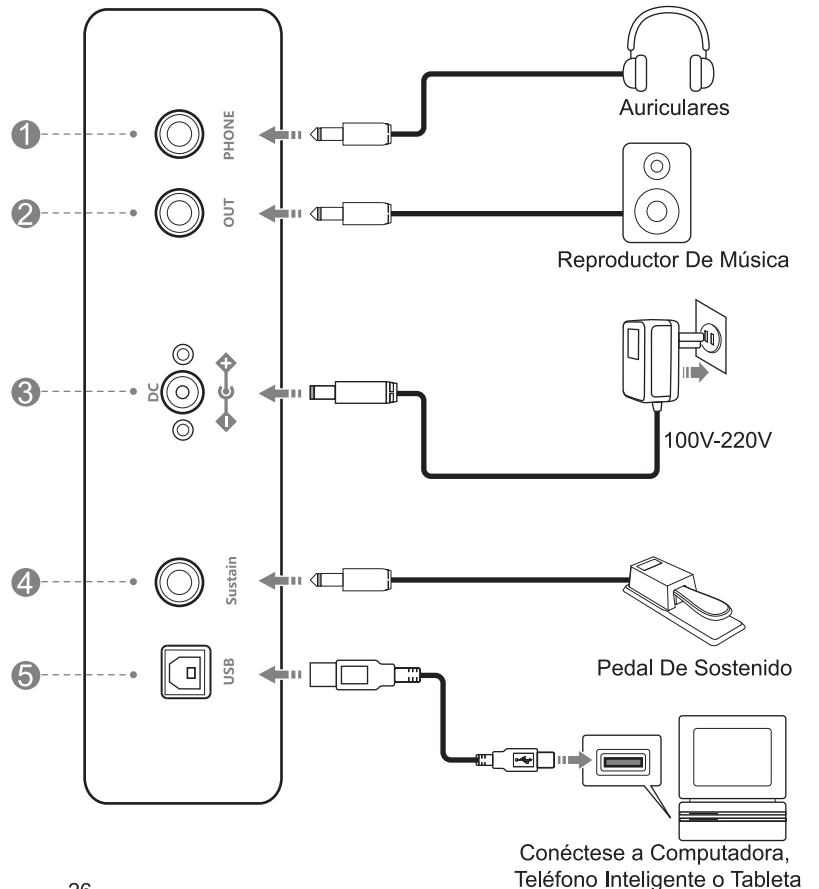
2. Si no utiliza este producto durante mucho tiempo, desenchufe el cable de alimentación y guarde bien el producto.

#### 4 Pedal de sostenido

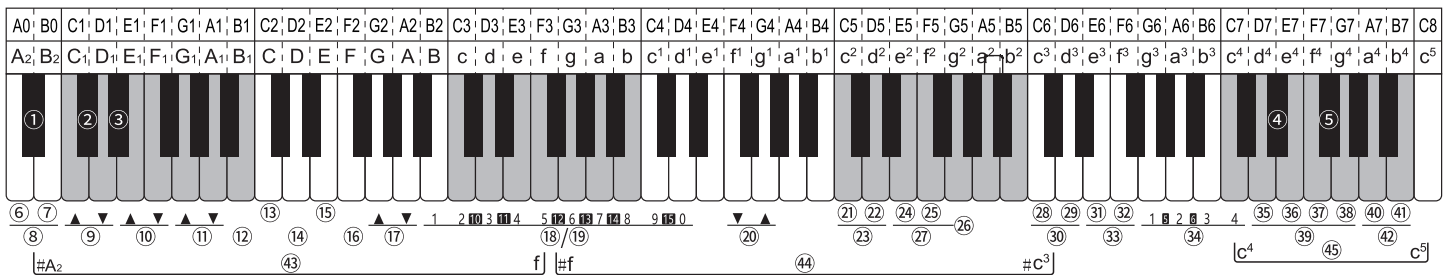
Este producto tiene un pedal de sostenido, pise el pedal según sea necesario cuando lo use.

#### 5 Interfaz de transmisión USB

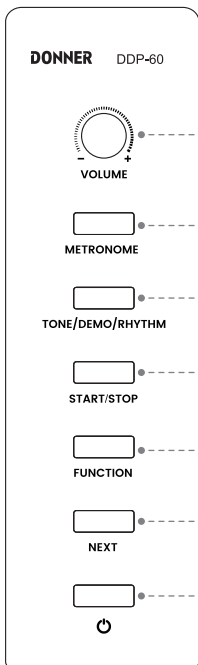
El puerto USB de este piano digital se puede conectar a un ordenador. Puede usar el software de música preinstalado en su ordenador para aprender o jugar, además de componer, almacenar y otras funciones. Puede conectar el piano digital a través del software y reproducir la música editada o el acompañamiento incorporado del software de música, o puede tocar de acuerdo con la música de acompañamiento.



# OPERACIÓN



① Digital -	⑩ Octava	⑲ Teclas numéricas	⑳ Encendido	㉓ estándar
② Interruptor Síncrono	⑪ Transposición	⑳ Brillo	㉑ Apagado	㉔ pesado
③ Preludio / Final	⑫ Configuración de la memoria	㉒ Encendido	㉒ Reverberación	㉕ Fuerza
④ Velocidad +	⑬ Configuración 1	㉓ Apagado	㉓ Encendido	㉖ Encendido
⑤ Velocidad -	⑭ Configuración 2	㉔ Timbre dual	㉔ Apagado	㉗ Apagado
⑥ Encendido	⑮ Configuración 3	㉕ Coro	㉕ Coro	㉘ Percusión
⑦ Apagado	⑯ Configuración 4	㉖ Encendido	㉖ Metrónomo	㉙ Demostración
⑧ Acordes	⑰ Banco de memoria	㉗ Apagado	㉗ Apagado	㉚ Ritmo
⑨ Volumen del acompañamiento	⑱ Pista de grabación	㉘ Teclado dual	㉘ ligero	㉛ Timbre



## Panel de control

- ① Volumen
- ② Metrónomo
- ③ Timbre / Ritmo / Demostración
- ④ Reproducir / Parar
- ⑤ Funciones
- ⑥ Siguiente

## Selección de timbre

- Después de encender el piano, el sonido predeterminado del producto es Acoustic Grand Piano No. 0.
- Mantenga presionado el botón "TONE/RHYTHM/DEMO" y, al mismo tiempo, presione el timbre correspondiente en el área de timbre para seleccionar directamente la "tecla blanca c4-c5", y el producto ingresará al modo de timbre.
- Presione el botón "NEXT" o presione la tecla "A2 Número -" mientras mantiene presionado el botón "FUNCTION" para agregar o restar el timbre. También puede mantener presionado el botón "FUNCTION" y presionar la "tecla numérica B-d1" correspondiente en el teclado para seleccionar el timbre (consulte la tabla de timbres para obtener más detalles).

## Selección de ritmo

- Mantenga presionado el botón "TONE/RHYTHM/DEMO", mientras presione cualquier tecla blanca o negra en el área de ritmo (# f-c3) para seleccionar el ritmo, el producto ingresa al modo de ritmo en este momento.
- Después de ingresar la selección de ritmo, puede presionar el botón "NEXT", o puede mantener presionado el botón "FUNCTION" y presionar "# A2 Número -" al mismo tiempo para sumar y restar ritmo.
- Mientras mantiene presionado el botón "FUNCTION", presione la tecla numérica "B-d1" correspondiente en el teclado para seleccionar el ritmo (consulte la tabla de ritmos para obtener más detalles).
- Después de seleccionar, presione el botón "START / STOP" para comenzar a tocar el ritmo, y presione el botón "START / STOP" de nuevo para detener la reproducción.

## Selección de demostración

- Mientras mantiene presionado el botón "TONE/RHYTHM/DEMO", presione cualquiera de las teclas blancas o negras en el área de demostración (# A2-f) para seleccionar una canción y el producto ingresará al modo de canción.
- Después de ingresar la selección de la canción, presione el botón "NEXT" o presione la tecla "# A2 Número -" mientras mantiene presionado el botón "FUNCTION" para sumar o restar el ritmo.
- Mientras mantiene presionado el botón "FUNCTION", presione la tecla numérica "B-d1" correspondiente en el teclado para seleccionar una canción (consulte la lista de canciones para obtener más detalles).
- Después de seleccionar, presione el botón "START / STOP" para comenzar a reproducir la canción, y presione el botón "START / STOP" de nuevo para detener la reproducción.

## Función de enseñanza de demostración

- En el modo de demostración (consulte la selección de demostración para ingresar al modo de demostración), primero mantenga presionada cualquier tecla blanca o negra en el teclado (área de demostración # A2-f), y luego presione "START / STOP".
- En este momento, el dispositivo ingresa al modo de enseñanza de demostración; presione cualquier tecla del teclado para reproducir la melodía principal; de lo contrario, la melodía principal dejará de reproducirse.
- Presione el botón "START / STOP" de nuevo para salir de este modo.

## Acorde automático

- Mientras mantiene presionado el botón "FUNCTION", presione el botón "Acorde A2 Encendido" en el teclado para activar el acorde automático.
- Mientras mantiene presionado el botón "FUNCTION", presione el botón "Acorde B2 Apagado" en el teclado para desactivar el acorde automático.

## Inicio de sincronización y apagado de sincronización

- Mientras mantiene presionado el botón "FUNCTION", presione el botón "# C1Sync" en el teclado para activar el inicio de la sincronización.

2. Presione de nuevo el botón "# C1Sync" para desactivar el inicio de la sincronización.

### **Preludio / Final**

1. Mientras mantiene presionado el botón "FUNCTION", presione el botón "# D1 prelude / final" en el teclado, y luego presione el botón "Reproducir / Parar" para reproducir el prelude.
2. Al tocar el ritmo, presione el botón "# D1 prelude / final " en el teclado mientras mantiene presionado el botón "FUNCTION" para reproducir el final.

### **Volumen de acompañamiento**

Mientras mantiene presionado el botón "FUNCTION", presione "Volumen de acompañamiento C1 +" o "Volumen de acompañamiento D1 -" en el teclado para aumentar o disminuir el volumen del acompañamiento.

### **Octava**

Mientras mantiene presionado el botón "FUNCTION", presione "E1 octava +" o "F1 octava-" en el teclado para sumar y restar octavas hacia arriba y hacia abajo.

### **Transposición**

Mientras mantiene presionado el botón "FUNCTION", presione "G1 Transposición +" o "A1 Transposición -" en el teclado para sumar o restar 12 semitonos.

### **Brillo**

Mientras mantiene presionado el botón "FUNCTION", presione "f1 Brillo -" o "g1 Brillo +" en el teclado para ajustar el brillo del sonido.

### **Recuperar / guardar**

1. Mientras mantiene presionado el botón "FUNCTION", presione cualquiera de los botones "Configuración de CF 1-4" en el teclado, y luego mantenga presionado "Configuración de memoria" para guardar el timbre, ritmo, velocidad, volumen y otros parámetros que ha seleccionado.
2. Mientras mantiene presionado el botón "FUNCTION", presione la tecla "Configuración C-F 1-4" en la configuración que acaba de guardar, y luego presione brevemente "Configuración de memoria" para recuperar los parámetros que acaba de guardar.
3. Este piano tiene 4 configuraciones de guardado y 4 bancos de memoria, totalizando 16 configuraciones de memoria. Mientras mantiene presionado el botón "FUNCTION", presione "G memoria +" o "A memoria -" en el teclado para seleccionar un banco de memoria.

### **Grabación / reproducción**

1. Mantenga presionado el botón "METRONOME", después de escuchar el pitido, presione "B-d1 pista de grabación" en el teclado para seleccionar la pista que desea grabar. Hay 15 pistas en total, de las cuales 1-15 son las pistas de melodía y 0 es la pista de acompañamiento.
2. Después de seleccionar la pista de grabación, el producto entra en el estado de grabación, en este momento se inicia la grabación al tocar el piano. La luz indicadora del metrónomo parpadea para indicar el inicio de la grabación.
3. Mantenga presionado el botón "START / STOP" para finalizar la grabación. En este momento, el metrónomo deja de parpadear y el producto sale del estado de grabación.
4. Mantenga presionado el botón "START / STOP" de nuevo para reproducir el sonido grabado.
5. Borrado de grabación: mantenga presionado el botón "METRONOME", el sonido de aviso significa que el producto ingresa al modo de grabación, y luego mantenga presionado el botón "START / STOP" para borrar todas las grabaciones de pistas.

### **Timbre dual**

1. Elija un timbre como primer timbre del timbre dual.
2. Mientras mantiene presionado el botón "FUNCTION", presione la tecla "C2 timbre dual" en el teclado.
3. En este momento, el timbre dual está activado y el segundo timbre predeterminado es el timbre 49.
4. En este momento, puede ingresar al modo de timbre para cambiar el segundo timbre (consulte la operación de selección de timbre para obtener más detalles).
5. Mientras mantiene presionado el botón "FUNCTION", presione "d2 timbre dual apagado" en el teclado para salir del modo de timbre dual.

### **Teclado dual / piano dual**

1. Seleccione un timbre para el área izquierda.
2. Mientras mantiene presionado el botón "FUNCTION", presione el "teclado dual e2" en el teclado para iniciar el modo de teclado dual.
3. Después del encendido, el teclado se divide en 2 áreas iguales a la izquierda y a la derecha, y el punto de división es el centro C. En el modo de teclado dual, el tono del C central es siempre el mismo que el tono del C situado más a la derecha.
4. En este momento, puede ingresar al modo de timbre para cambiar el timbre del área derecha (consulte la selección de timbre para obtener más detalles).
5. Mientras mantiene presionado el botón "FUNCTION", presione el "f2 piano dual" en el teclado. En este momento, los sonidos de los teclados izquierdo y derecho son ambos pianos.
6. Mientras mantiene presionado el botón "FUNCTION", presione "g2 teclado dual piano dual apagado" en el teclado para salir del modo de teclado dual y piano dual.

### **Reverberación**

1. Mientras mantiene presionado el botón "FUNCTION", presione "C3 reverberación encendido" en el teclado para activar el modo de reverberación. En este momento, el sonido del piano digital viene con un efecto de reverberación.
2. Presione la tecla "C3 reverberación" varias veces para cambiar el tipo de reverberación. Hay 8 efectos de reverberación.
3. Mientras mantiene presionado el botón "FUNCTION", presione el "d3 reverberación apagado" al lado para apagar la reverberación.

### **Coro**

1. Mientras mantiene presionado el botón "FUNCTION", presione "e3 Coro" en el teclado para activar el modo de coro. En este momento, el sonido del piano digital viene con un efecto de coro.
2. Presione el botón "e3 Coro" varias veces para cambiar el tipo de coro. Hay 8 efectos de coro.
3. Mientras mantiene presionado el botón "FUNCTION", presione el "f3 coro" al lado para desactivar el efecto de coro.

### **Metrónomo**

1. Mantenga presionado el botón del "METRONOME" en la caja de funciones, la luz indicadora se encenderá y el metrónomo comenzará.
2. Mientras mantiene presionado el botón "FUNCTION", presione "g3-b3 compás 1-6" en el teclado para seleccionar el número de compás.

## Velocidad

1. Mientras mantiene presionado el botón "FUNCTION", presione "# d4 velocidad +" en el teclado para aumentar el valor de BPM de velocidad.
2. Mientras mantiene presionado el botón "FUNCTION", presione "# f4 velocidad -" en el teclado para reducir el valor de BPM de velocidad.
3. Rango de BPM: 30-280

## Fuerza

1. Mientras mantiene presionado el botón "FUNCTION", presione "d4-g4 fuerza" en el teclado para seleccionar la curva de velocidad del teclado.
2. Hay 5 tipos de curvas de velocidad: apagado, ligero, estándar, pesado y valor predeterminado de encendido.

## Percusión de teclado

1. Mientras mantiene presionado el botón "FUNCTION", presione "a4 percusión encendida" en el teclado para ingresar al modo de percusión del teclado. En este momento, el teclado suena percusivo.
2. Mientras mantiene presionado el botón "FUNCTION", presione "b4 percusión apagada" en el teclado para apagar la percusión del teclado.

# CONSIDERACIONES DE SEGURIDAD

## ADVERTENCIAS/PRECAUCIONES

### ● Adaptador de Corriente

- Este producto está disponible para el tomacorriente de pared estándar.
- Utilice solamente el cable de alimentación especificado por el producto.
- Apague la energía y tire del cable de alimentación cuando no utilice el producto durante un período prolongado de tiempo.



### ● Humo, olor, sobrecalentamiento

- Cuando el producto emite humo, huele mal o se sobrecalienta, se deben realizar las siguientes acciones inmediatamente para evitar el riesgo de incendio y descarga eléctrica.
  1. Apague la energía.
  2. Tire del enchufe del tomacorriente.
  3. Entre en contacto con la agencia local.

### ● Fuente de Alimentación y Cable de Alimentación

- El uso inapropiado de la fuente de alimentación y del cable de alimentación puede ocasionar el peligro de incendio y choque eléctrico. Hay que observar las siguientes precauciones:
  1. Se deben utilizar los cables de alimentación especificados por el producto.
  2. Se debe utilizar un adaptador de corriente de CA con voltaje de salida dentro del voltaje nominal doméstico.
  3. No coloque el cable de alimentación cerca del calor y las fuentes mojadas.
  4. No sobrecargue los tomacorrientes de pared y los cables de extensión.
  5. No coloque objetos pesados sobre los cables de alimentación.
  6. No retuerza ni doble los cables de alimentación.
  7. No utilice manos mojadas para tocar el cable de alimentación y el enchufe.
  8. Desenchufe el cable de alimentación del tomacorriente cuando no utilice el instrumento o durante una tormenta eléctrica.
  9. Asegúrese de que se haya apagado la energía cuando conecte o desenchufe el cable de alimentación.
  10. No permita que los niños toquen el enchufe y el cable de alimentación sin la supervisión de un adulto.

### ● Agua y Materias Extrañas

- Apague la energía y desenchufe el cable de alimentación para evitar el peligro de incendio y choque eléctrico cuando el agua y otras materias extrañas entren en el producto.

### ● Desmontaje

- No desmonte ni modifique el producto para evitar el peligro de incendio y choque eléctrico.

### ● Manipulación y transporte

- Nunca aplique fuerza excesiva a los controles, conectores u otras partes del instrumento.
- Agarre firmemente el enchufe mientras desenchufe los cables, nunca tire de los cables con fuerza.
- Desconecte todos los cables antes de mover el instrumento.
- Los golpes causados por caídas, colisiones contra el instrumento o la colocación de objetos pesados sobre él pueden ocasionar arañazos e incluso daños más severos.

### ● Colocación

- No coloque el producto en una superficie irregular o cualquier otro lugar inestable para evitar cualquier daño de caída.

- **Puerto**

- Los puertos del producto solo se pueden conectar el equipo y los dispositivos especificados. La conexión del equipo o los dispositivos no designados tiene el riesgo de incendio y choque eléctrico.

- **Bolsa de Plástico**

- Mantenga la bolsa de plástico alejada del niño para evitar la asfixia.

- **Volumen**

- No utilice el instrumento a alto volumen durante largo período de tiempo. Un alto volumen puede dañar su audición.

- **Limpieza**

- Retire el cable de alimentación del tomacorriente antes de limpiar el producto para evitar el daño de incendio y choque eléctrico.

## SOLUCIONES DE PROBLEMAS

Problema	Causa	Solución
No hay sonido al presionar las teclas	1. El control de volumen está en la posición mínima "-". 2. El auricular o el adaptador de enchufe está conectado al puerto de auriculares. 3. La alimentación no está encendida o el piano está apagado.	1. Gire la perilla de volumen en la dirección "+" del volumen supermáximo. 2. Desenchufe el conector de la toma de auriculares. 3. Encienda la alimentación y luego presione el botón de encendido.
El pedal no funciona	1. El cable del pedal no está conectado a la unidad principal. 2. El enchufe de un extremo del pedal está suelto.	1. Inserte el enchufe del cable del pedal en la toma de la unidad principal. 2. Confirme si el enchufe del extremo del cable del pedal y los tres pedales está suelto. Si está suelto, conéctelo firmemente.
Hay ruido cuando se enciende o apaga el piano	Normal	Normal. Esto significa que la corriente ingresa al dispositivo en este momento.
Hay ruido al usar el teléfono móvil	Interferencia de radio	El uso de un teléfono móvil cerca del piano genera radiación. Puede apagar el teléfono móvil o utilizarlo lejos del piano para evitar este fenómeno.
El timbre o el ritmo suena anormal	Batería baja	Compruebe si la potencia es estable.
Parece que todos los timbres suenen o el sonido parece cortado	Normal	Este piano permite que suenen hasta 128 notas simultáneamente. Si está utilizando el modo de timbre dual y el acompañamiento o la canción se están reproduciendo al mismo tiempo, se omitirán algunas notas / sonidos del acompañamiento o la canción.
La calidad del sonido de diferentes notas del mismo timbre es diferente	Normal	Es normal. Este producto utiliza la fuente de sonido AWM para muestrear y grabar en todo el rango de teclas, por lo que la calidad del sonido de las dos notas es ligeramente diferente.
Después de conectarse al ordenador, éste no puede reconocer el piano	Conector USB suelto	Este piano no requiere controladores adicionales. Si el ordenador no puede reconocer el piano, verifique si el cable USB está firmemente conectado. También puede intentar conectar el producto a otros puertos USB de su ordenador.

## Cuidado y mantenimiento del producto

El mantenimiento y la protección cuidadosos de este producto pueden prolongar efectivamente la vida útil del producto y reducir las fallas.

### 1. Evite la exposición al calor, la humedad o la luz solar directa

No exponga el producto a la luz solar directa ni lo coloque cerca de acondicionadores de aire o lugares extremadamente calientes.

### 2. No lo utilice cerca de la televisión o la radio

Este producto puede causar interferencias de audio o video en la recepción de radio y televisión. Si esto sucede, aleje el producto del televisor o la radio.

### 3. No utilice pintura, disolvente o productos químicos similares para limpiar el producto

Limpie el producto con un paño suave humedecido con una solución de agua débil y detergente neutro. Remoja el paño en la solución y escúrralo hasta que esté casi completamente seco.

### 4. No sacuda, evite la colisión

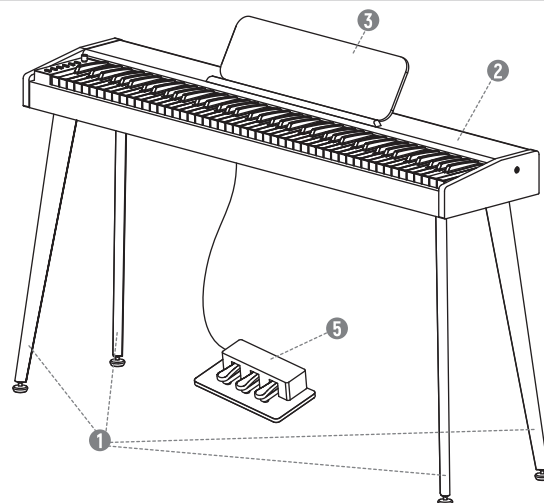
Al mover el producto, manipúlelo con cuidado. Las vibraciones o colisiones severas están estrictamente prohibidas; de lo contrario, dañará la carcasa o los componentes electrónicos internos.

当社の製品をご購入いただき、誠にありがとうございます。  
 本マニュアルには、本製品の使い方や機能、操作などの内容を記載しております。  
 未永くご使用頂くためにも、ご使用前に必ずご一読ください。  
 また、いつでも確認できるように本マニュアルは大切にご保管をお願いいたします。

## 内容物

商品が届いたら、中身をまず確認しましょう。

部品名	数量
① ピアノスタンド	4 PCS
② ピアノ本体	1 PC
③ 譜面台	1 PC
④ M6*14mmネジ	20 PCS
⑤ トリプルペダル	1 PC
⑥ 電源アダプタ	1 PC
⑦ 取扱説明書	1 PC



## 製品仕様書

商品名		Donner 88キーセミウェイトデジタルピアノ		
サイズ/重量	サイズ	136*35.8*76.4cm (53.5*14.09*30.08inch)		
	重量	18.5kg (40.8pound)		
	包装の寸法	141*38.5*25cm (55.5*15.2*9.8inch)		
	パッケージの重量	22kg (48.5pound)		
演奏制御	キーボード	鍵盤数	88	
		ペロシティ反応	オフ/ライト/スタンダード/ヘビー/デフォルト	
機能	復音	同時発音数	128	
	スプリット/ツーピアノ		サポート	
	デュアルトーン		サポート	
	リズム		83	
	トーン		128	
	デモ曲		47	
	効果		残響 (8種類、オンオフ可能、残響の深さが設定可能)	
	録音		サポート	
	メトロノーム	種		6
		テンポ		30 ~ 280
接続ポート	電源		DC 12V 3A	
	イヤホン		6.35mm (1/4-inch)	
	AUX OUT		サポート	
	USB-MIDI		サポート	
	ペダル		サポート	
音声システム	スピーカー出力パワー		≥15Wx2	
仕様	定格電圧		220-240V ~ (EU/UK) 120V (US)	
	定格周波数		50Hz (EU/UK) 60Hz (US)	
	定格出力		1.0A 最大	
	イントネーション		≤3セント	
	音域		A2 ~ C5	

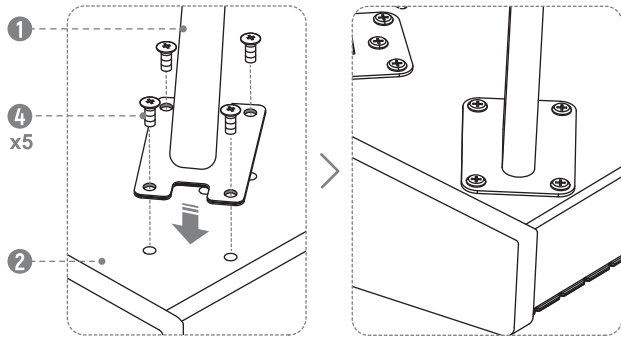
**ご注意:** 本製品は電子製品である為、電源を入れるとスピーカー(全てのスピーカーまたは、そのうちの一つやイヤホン)から電流音が出る場合がございます。これは仕様によるもので、正常な現象です。

無線周波数電気製品やモーター付きの設備といったノイズの発生源(例:ラジオ、ルーター、テレビ、受信機、冷蔵庫、洗濯機など)から離してご使用ください。

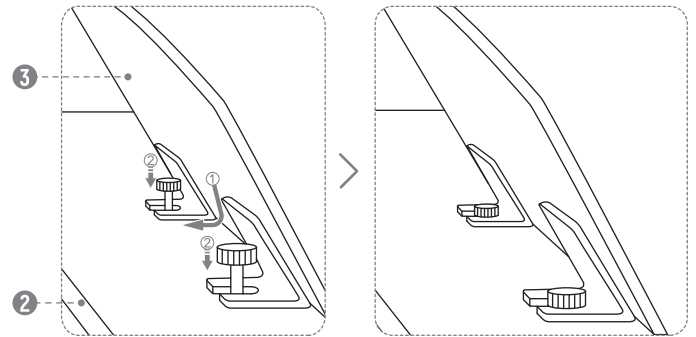
## 取付説明

❗ 届いた製品の部品が全て揃っているかご確認ください。  
ご使用前に、この取扱説明書をよくお読みください。

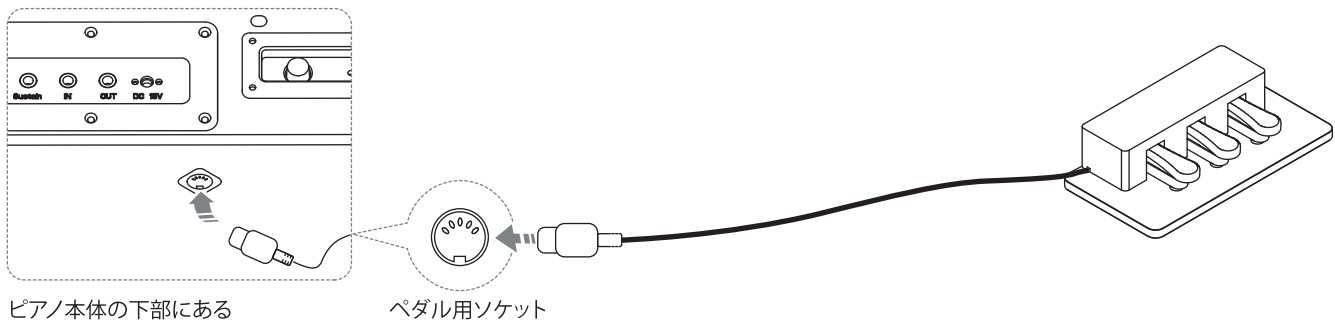
### 1. ピアノボードの取付



### 2. 譜面台の取付



### 3. ペダルソケットの取り付け



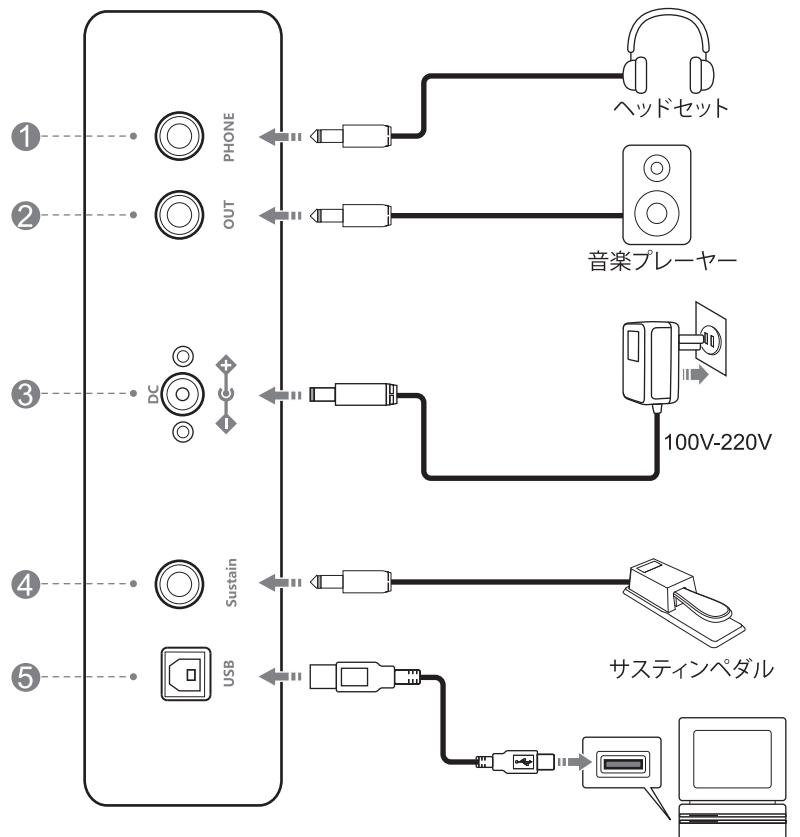
ピアノ本体の下部にある

ペダル用ソケット

## ピアノソケット

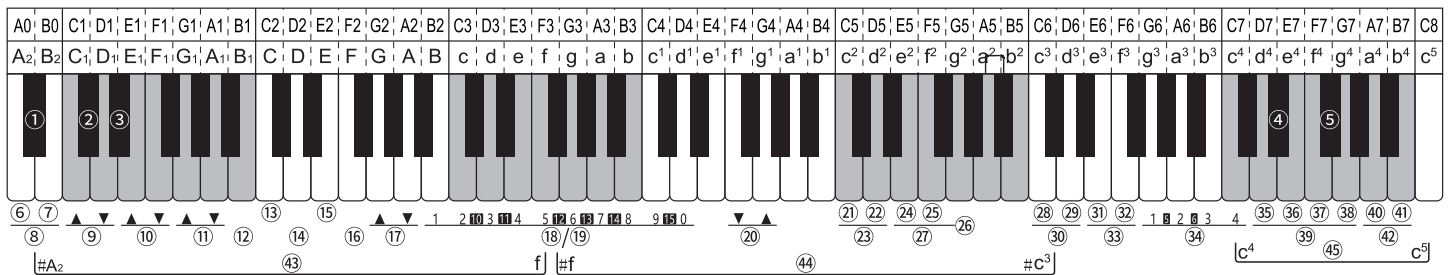
### 本体の裏面

- イヤホン端子**  
イヤホンと接続すると電子ピアノの内蔵スピーカーの出力が切れ、弾く時に周りの人に迷惑をかけません。
- 音声出力端子**  
音声出力プラグが外付けの大型オーディオ設備と接続できます。
- 電源ケーブル接続ポート**
  - 使う時に図のように電源ケーブルを挿入し、片方をピアノの底部の操作パネルの電源入力ポートに差し込んで、片方が100V-200V家庭用電源コンセントに差し込みます。
  - 長期間本商品を使わない場合、電源プラグを抜いてしっかり保管してください。
- サスティンペダル**  
本商品はサスティンペダル機能を備え、使う時にペダルを踏む必要があります。
- USB伝送ポート**  
USB転送インターフェイスを使用してパソコンと接続することができます。パソコンにプリインストールされている音楽ソフトを通じて演奏、作曲、保存などの機能が可能です。編集した楽曲や音楽ソフトの内蔵伴奏は、ソフトを介してデジタルピアノに接続し、再生したり伴奏に合わせて演奏したりすることができます。

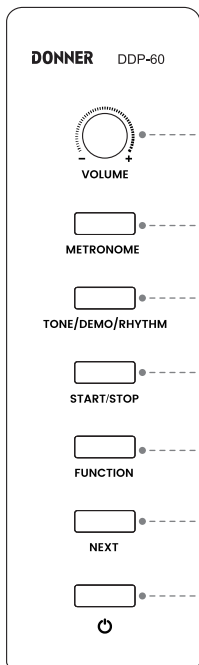


PC、スマートフォン、タブレットなどに接続

# 操作マニュアル



- |           |         |              |          |          |
|-----------|---------|--------------|----------|----------|
| ① 数字-     | ⑩ オクターブ | ⑱ 数字ボタン      | ⑳ オン     | ㉑ スタンダード |
| ② 同期スイッチ  | ⑪ 移調    | ⑲ 明るさ        | ㉒ オフ     | ㉓ ハード    |
| ③ 前奏/後奏   | ⑫ 記憶設定  | ㉑ オン         | ㉒ リバーブ   | ㉔ 力加減、   |
| ④ テンポ+    | ⑬ 設定1   | ㉒ オフ         | ㉓ オン     | ㉕ オン     |
| ⑤ テンポ-    | ⑭ 設定2   | ㉓ デュアルトーン    | ㉔ オフ     | ㉖ オフ     |
| ⑥ オン      | ⑮ 設定3   | ㉔ オン         | ㉕ 合唱     | ㉗ 打楽器、   |
| ⑦ オフ      | ⑯ 設定4   | ㉕ オン         | ㉖ メトロノーム | ㉘ デモ曲    |
| ⑧ 和音      | ⑰ 記憶庫   | ㉖ オフ         | ㉗ オフ     | ㉙ リズム    |
| ⑨ 伴奏ボリューム | ⑰ 録音ルート | ㉗ 二人鍵盤・二人ピアノ | ㉘ ソフト    | ㉚ トーン    |



## コントロールパネル

- |         |          |               |
|---------|----------|---------------|
| ① ボリューム | ② メトロノーム | ③ トーン/デモ曲/リズム |
| ④ 再生/停止 | ⑤ 機能     | ⑥ 次の曲         |

## トーンを選択

- 立ち上げた後トーンのデフォルト設定が0号、Acoustic Grand Pianoです。
- 「TONE/ DEMO/ RHYTHM」ボタンを押したまま、同時にトーンエリアのトーンに該当する「ホワイトキーc4-c5」を押すと、トーンモードに入ります。
- または「NEXT」ボタン若しくは「FUNCTION」ボタンを押したまま、同時に「#A2数字-」キーを押してトーンを変え、若しくは「FUNCTION」ボタンを押したまま、キーボードで該当する「B-d1数字キー」を押してトーンを選択することができます(トーンの詳細はトーンシートをご覧ください)

## リズムの選択

- 「TONE/ DEMO/ RHYTHM」ボタンを押したまま、リズムエリア(#f-c3)の任意黒キー、白キーを押してリズムモードに入ります。
- リズムモードに入った後、また「NEXT」ボタン若しくは「FUNCTION」ボタンを押したまま、同時に「#A2数字-」キーを押して音色を変えます。
- 若しくは「FUNCTION」ボタンを押したまま、キーボードで該当する「B-d1数字キー」を押してリズムを選択することができます(リズムの詳細はリズムシートをご覧ください)
- 選択が終わると「START/STOP」ボタンを押し、リズムが再生し、もう一度「START/STOP」ボタンを押すと、再生が止まります。

## デモ曲の選択

- 「TONE/ DEMO/ RHYTHM」ボタンを押したまま、デモ曲エリア(#A2-f)の任意黒キー、白キーを押してデモ曲モードに入ります。
- デモ曲モードに入った後、また「NEXT」ボタン若しくは「機能」ボタンを押したまま、同時に「#A2数字-」キーを押してリズムを変えます。
- 若しくは「FUNCTION」ボタンを押したまま、キーボードで該当する「B-d1数字キー」を押してデモ曲を選択することができます。(デモ曲の詳細はデモ曲シートをご覧ください)
- 選択が終わると「START/STOP」ボタンを押し、デモ曲が再生し、もう一度「START/STOP」ボタンを押すと、再生が止まります。

## デモ曲によるラーニング機能

- デモ曲モードで(デモ曲モードの入り方について「デモ曲の選択」をご覧ください)、キーボードの任意黒キー、白キー(デモ曲エリア#A2-f)を押したまま、「START/STOP」ボタンを押します。
- この時、デモ曲ラーニングモードに入り、キーボードの任意キーを押すと、メロディーが再生し、押さないと、メロディーが止まります。
- もう一度「START/STOP」ボタンを押すと、このモードが終了します。

## オート和音

- 「FUNCTION」ボタンを押したまま、同時にキーボードの「A2和音オン」ボタンを押すと、オート和音がオンになります。
- 「FUNCTION」ボタンを押したまま、同時にキーボードの「A2和音オフ」ボタンを押すと、オート和音がオフになります。

## 同期オンと同期オフ

- 「FUNCTION」ボタンを押したまま、同時にキーボードの「#C1同期」ボタンを押すと、同期がオンになります。
- もう一度「#C1同期」を押すと、同期がオフになります。

## 前奏/後奏

1. 「FUNCTION」ボタンを押したまま、同時にキーボードの「#D1前奏/後奏」ボタンを押したら、「START/STOP」ボタンを押すと、前奏が再生します。
2. 再生中、「FUNCTION」ボタンを押したまま、同時にキーボードの「#D1前奏/後奏」ボタンを押すと、後奏が再生します。

## 伴奏ボリューム

「FUNCTION」ボタンを押したまま、同時にキーボードの「C1伴奏ボリューム+」ボタン若しくは「D1伴奏ボリューム-」を押して伴奏ボリュームを調整できます。

## オクターブ

「FUNCTION」ボタンを押したまま、そしてキーボードの「E1オクターブ+」若しくは「F1オクターブ-」を押してオクターブを上下に調整できます。

## ピッチ

「FUNCTION」ボタンを押したまま、そしてキーボードの「G1ピッチ+」若しくは「A1ピッチ-」を押して±12半音階で調整できます。

## 明るさ

「FUNCTION」ボタンを押したまま、そしてキーボードの「f1明るさ+」若しくは「g1明るさ-」を押して音の明るさを調整できます。

## 設定の保存と使用

1. 「FUNCTION」ボタンを押したまま、そしてキーボードの「"C-F設定1-4」の中の任意ボタンを押して、「メモリ設定」を長押しすれば、選択したトーン、リズム、テンポ、ボリュームなどのパラメーターを保存することができます。
2. 「FUNCTION」ボタンを押したまま、そして先ほど設定が保存された「"C-F設定1-4」ボタンを押して、「メモリ設定」を短押しすれば、保存されたパラメーターを使用できます。
3. 本製品は保存設定四つ、メモリライブラリ4つ、合計メモリ設定が16個を持っており、まず「FUNCTION」ボタンを押したまま、そしてキーボードの「Gメモリライブラリ+」若しくは「Aメモリライブラリ-」を押してメモリライブラリを選択できます。

## 録音/再生

1. 「METRONOME」を押したまま、通知音が出た後キーボードの「B-d1録音ルート」を押して録音のルートを選択します。録音ルートが「0-15」となり、そのうち「1-15」がメロディー、「0」が伴奏です。
2. 録音ルートを選択した後、録音状態に入り、この時ピアノを弾くと録音が始まり、メトロノームが点滅します。
3. 「START/STOP」ボタンを長押しし、録音が終わり、この時メトロノームが点滅を止めて録音状態から戻ります。
4. もう一度「START/STOP」ボタンを長押しすると、録音したものが再生します。
5. 録音削除:まず「METRONOME」ボタンを押したまま、通知音が出た後、録音モードに入り、その後「START/STOP」ボタンを長押しすると、全てのルートの録音が削除されます。

## デュアルトーン

1. トーンを一つ選択してファーストトーンとします。
2. 「FUNCTION」ボタンを押したまま、キーボードの「c2デュアルトーン」キーを押します。
3. この時、デュアルトーンがオンとなり、セカンドトーンがデフォルト状態で49号です。
4. このモードで、トーンモードに入ってセカンドトーンを設定できます。(詳細は「トーンを選択」をご覧ください)
5. もう一度「FUNCTION」ボタンを押したまま、キーボードの「d2デュアルトーンオフ」キーを押してデュアルトーンモードが終了します。

## 二人鍵盤・二人ピアノ

1. トーンを一つ選択して左エリアとします
2. 「FUNCTION」ボタンを押したまま、キーボードの「e2二人鍵盤・二人ピアノ」キーを押すと、二人鍵盤・二人ピアノモードに入ります。
3. すると、キーボードが左右二つ同じエリアと別れ、境界線が中央Cにあり、二人鍵盤・二人ピアノモードでは、中央Cのピッチが常に一番右側のCと一致します。
4. このモードでトーンモードに入って右エリアのトーンを設定できます(詳細は「トーンを選択」をご覧ください)
5. 「FUNCTION」ボタンを押したまま、キーボードの「f2二人ピアノ」キーを押すと、左右のキーボード両方がピアノトーンになります
6. 「FUNCTION」ボタンを押したまま、キーボードの「g2二人鍵盤・二人ピアノオフ」キーを押すとこのモードが終了します。

## 残響

1. 「FUNCTION」ボタンを押したまま、キーボードの「c3リバーブオン」キーを押してリバーブエフェクトモードに入り、この時、デジタルピアノに残響の効果を持たせます。
2. 「c3リバーブ」キーを押してリバーブエフェクトを切り替えることができます。合計8種類あります。
3. 「FUNCTION」ボタンを押したまま、隣の「d3リバーブオフ」を押すと、リバーブ効果が終了します。

## 合唱

1. 「FUNCTION」ボタンを押したまま、キーボードの「e3合唱」キーを押して合唱モードに入り、この時、デジタルピアノが合唱の効果を持たせます。
2. 「e3合唱」キーを押して合唱タイプを切り替えることができます。合計8種類あります。
3. 「FUNCTION」ボタンを押したまま、隣の「f3合唱」を押すと、合唱がオフになります。

## メトロノーム

1. メトロノームボタンを押すと、インジケーターが点灯し、メトロノームが再生します。
2. 「FUNCTION」ボタンを押したまま、キーボードの「g3-b3拍節1-6」キーを押して拍節を調整できます。

## テンポ

1. 「FUNCTION」ボタンを押したまま、キーボードの「#d4テンポ+」を押してテンポBPM値を上げます。
2. 「FUNCTION」ボタンを押したまま、キーボードの「#f4テンポ-」を押してテンポBPM値を下げます。
3. BPM調整範囲:30-280

## ペロシティ

1. 「FUNCTION」ボタンを押したまま、キーボードの「d4-g4ペロシティ」キーを押してキーボードのペロシティ曲線を選択できます。
2. 「オフ/ライト/スタンダード/ヘビー/デフォルト」という五つの曲線があります。

## 打楽器

1. 「FUNCTION」ボタンを押したまま、キーボードの「a4打楽器オン」キーを押して打楽器モードに入ります。この時、キーボードが打楽器になります。
2. 「FUNCTION」ボタンを押したまま、隣の「b4打楽器オフ」キーを押すと打楽器がオフになります。

# 安全上のご注意

## 警告/注意

### 電源アダプタ

- この製品は、標準の屋内壁コンセントに使用できます。
- 本製品で指定されている電源コードのみを使用してください。
- 長期間使用しない場合は、電源を切り、電源コードを抜いてください。



### 煙、臭い、過熱

- 喫煙、臭気、過熱時の火災・感電の危険を避けるため、直ちに以下の操作を行ってください。
  1. 電源をオフにします。
  2. 電源コンセントからプラグを抜きます。
  3. 地元の代理店に連絡してください。

### 電源と電源コード

- 電源や電源コードの不適切な使用は、火災や感電の危険を引き起こす可能性があります。次の注意事項を必ず守ってください。
  1. 指定された電源コードを使用してください。
  2. 家庭用定格電圧以内のAC電源アダプタを使用してください。
  3. 電源コードを熱源や濡れた場所の近くに置かないでください。
  4. 壁のコンセントと延長コードに過負荷をかけないでください。
  5. 電源コードに重いものを載せないでください。
  6. 電源コードをねじったり曲げたりしないでください。
  7. 濡れた手で電源コードやプラグに触れないでください。
  8. 本製品を使用しないとき、または雷雨のときは、電源コードをコンセントから抜いてください。
  9. 電源コードを接続または切断するときは、電源がオフになっていることを確認してください。
  10. 大人の監督がない場合、お子様がプラグと電源コードに触れないようご注意ください。

### 水と異物

- 本製品に水やその他の異物が入った場合は、電源を切り、電源コードを抜いてください。火災や感電の原因になります。

### 分解

- 本製品を分解・改造しないでください。火災や感電の原因になります。

### 取り扱いと輸送

- 本製品のコントロール、コネクタ、またはその他の部分に過度の力を加えないでください。
- ケーブルを抜くときはプラグをしっかりと掴んでください。ケーブルを無理に引っ張らないでください。
- 本製品を移動する前に、すべてのケーブルを外してください。
- 本製品を落としたり、ぶつけたり、重いものを載せたりしないでください。引っかき傷やさらに深刻な損傷を引き起こす可能性があります。

### インターフェース

- 本製品の各インターフェースは、指定された機器やデバイスにのみ接続できます。指定されていない機器やデバイスを接続すると、火災や感電の恐れがあります。

## ビニール袋

-ビニール袋を子供から遠ざけてください。窒息の原因になります。

## 音量

-大きい音量で長時間使用しないでください。音量が大きいと、聴力を損なう可能性があります。

## お手入れ

-本製品を掃除する前に、壁のコンセントから電源コードを抜いてください。火災や感電の原因になります。

## トラブルシューティング

問題	原因	解決
キーを押しても音が出ない	1. ボリュームをミニマム「-」に設定している。 2. イヤホン、若しくはプラグ変換ケーブルを挿入口に挿入している。 3. 電源を入れていない若しくはピアノがパワーオフの状態。	1. ボリューム「+」を回してボリュームを上げる。 2. 挿入口に挿入しているものを抜く。 3. 電源を入れ、パワーボタンを押す。
ペダルが効かない	1. ペダルの接続ケーブルが本体と繋がっていない。 2. ペダルの片側のプラグがぐらついている。	1. ペダルケーブルのプラグを本体の挿入口に挿入してください。 2. 3本ペダルと接続するペダル接続ケーブル側のプラグを確認し、しっかり挿し込んでください。
電源を入れる、若しくは切る時にノイズが出る	正常な現象	これは正常な現象です 電流が本体に流れるのを示す
携帯電話を使う時にノイズが出る	電波妨害	ピアノの近くで携帯電話を使うと、電波妨害が発生する。これを避けるために、携帯電話を切って、若しくはピアノと離れて使ってください。
トーン若しくはリズムに異常がある	電力が不足する	電力が不足し、供給電力の状況を確認する
全てのトーンが発音するようで、若しくは発音が切られる	正常な現象	このピアノの最大同時発音数が128個音符で、もしデュアルトーンモードに入っており、且つ伴奏若しくは曲が再生している場合、その伴奏若しくは曲の一部の音符
同じトーンにおいて、音符間の音質が異なる	正常な現象	これは正常な現象で、本体がAWM音源を採用し、この音源は段階的にサンプリングで録音をするため、音符間の音質が少しずれる。
コンピューターと接続する時にピアノを識別できない	USBプラグがぐらついている	追加でドライバをインストールする必要がない。もし識別ができない場合、USB電源ケーブルの接続がぐらつくかを確認し、若しくはコンピューターの他のUSBポートを試してください。

## 製品のお手入れとメンテナンス

製品の使用寿命を延ばし、故障を減らすために、本製品に対してしっかりメンテナンスを行ってください

### 1. 熱源及び濡れた環境から離し、直射日光を避けます

直射日光を直接受けたり、若しくはエアコン、熱源の近くに置いたりしないでください。

### 2. テレビ、ラジオの近くで使わないでください

製品がテレビとラジオの受信に電波妨害を与える可能性があります。それが発生した場合、製品をテレビとラジオから離してください。

### 3. ペイント、希釈液若しくは類似化学品を使って洗わないでください

タオルを弱水溶液と中性剤に浸し、絞って本製品を洗います。

### 4. 衝突防止のため、本商品を揺らしてはいけません

本製品を動かす時に、丁寧に扱ってください。ケースや内部の電子部品が壊れないように、製品を激しく揺らしたり、ぶつけたりしないようにお願いします。

0	Mariage Dreamour	16	Etude 05	32	Etude 21
1	ChopinFi	17	Etude 06	33	Etude 22
2	Turkish March	18	Etude 07	34	Etude 23
3	Carman Overture	19	Etude 08	35	Etude 24
4	The River of	20	Etude 09	36	Etude 25
5	Nobody	21	Etude 10	37	Etude 26
6	Book of songs	22	Etude 11	38	Etude 27
7	Canon	23	Etude 12	39	Etude 28
8	The Butterfly lovers	24	Etude 13	40	Etude 29
9	Romance De Amor	25	Etude 14	41	Etude 30
10	Starry sky	26	Etude 15	42	Etude 31
11	Sonata	27	Etude 16	43	Etude 32
12	Etude 01	28	Etude 17	44	Etude 33
13	Etude 02	29	Etude 18	45	Etude 34
14	Etude 03	30	Etude 19	46	Etude 35
15	Etude 04	31	Etude 20		

**Voice | Timbres | Tontabelle | Tono | Timbres | トーンテーブル**

Piano		Chromatic Percussion		Organ	
0	Acoustic Grand	8	Celesta	16	Hammond Organ
1	Bright Acoustic	9	Glockenspiel	17	Percussive Organ
2	Electric Grand	10	Music box	18	Rock Organ
3	Honky-tonk Piano	11	Vibraphone	19	Church Organ
4	Rhodes Piano	12	Marimba	20	Reed Organ
5	Chorused Piano	13	Xylophone	21	Accordian
6	Harpichord	14	Tubular Bells	22	Harmonica
7	Clavichord	15	Dulcimer	23	Tango Accordion

Guitar		Bass		Strings	
24	Acoustic Guitar	32	Acoustic Bass	40	Violin
25	Acoustic Guitar	33	Electric Bass(finger)	41	Viola
26	Electric Guitar (jazz)	34	Electric Bass (pick)	42	Cello
27	Electric Guitar	35	Fretless Bass	43	Contrabass
28	Electric Guitar	36	Slap Bass 1	44	Tremolo Strings
29	Overdriven Guitar	37	Slap Bass 2	45	Pizzicato Strings
30	Distortion Guitar	38	Synth Bass 1	46	Orchestral Harp
31	Guitar Harmonics	39	Synth Bass 2	47	Timpani

Ensemble/Synth		Brass		Reed	
48	String Ensemble 1	56	Trumpet	64	Soprano Sax
49	String Ensemble 2	57	Trombone	65	Alto Sax
50	Synth Strings 1	58	Tuba	66	Tenor Sax
51	Synth Strings 2	59	Muted Trumpet	67	Baritone Sax
52	Choir Aahs	60	French Horn	68	Oboe
53	Voice Oohs	61	Brass Section	69	English Horn
54	Synth Voice	62	Synth Brass 1	70	Bassoon
55	Orchestra Hit	63	Synth Brass 2	71	Clarinet

Pipe		Synth Lead		Synth Pad	
72	Piccolo	80	Lead 1 (square)	88	Pad 1 (new age)
73	Flute	81	Lead 2 (sawtooth)	89	Pad 2 (warm)
74	Recorder	82	Lead 3 (caliope)	90	Pad 3 (polysynth)
75	Pan Flute	83	Lead 4 (chiff lead)	91	Pad 4 (choir)
76	Bottle Blow	84	Lead 5 (charang)	92	Pad 5 (bowed)
77	Shakuhachi	85	Lead 6 (voice)	93	Pad 6 (metallic)
78	Whistle	86	Lead 7 (fifths)	94	Pad 7 (halo)
79	Ocarina	87	Lead 8	95	Pad 8 (sweep)

Synth Effects		Ethnic		Percussive		Sound Effects	
96	FX 1 (rain)	104	Sitar	112	Tinkle Bell	120	Guitar Fret Noise
97	FX 2 (soundtrack)	105	Banjo	113	Agogo	121	Breath Noise
98	FX 3 (crystal)	106	Shamisen	114	Steel Drums	122	Seashore
99	FX4 (atmosphere)	107	Koto	115	Woodblock	123	Bird Tweet
100	FX 5 (brightness)	108	Kalimba	116	Taiko Drum	124	Telephone Ring
101	FX 6 (goblins)	109	Bagpipe	117	Melodic Tom	125	Helicopter
102	FX 7 (echoes)	110	Fiddle	118	Synth Drum	126	Applause
103	FX 8 (sci-fi)	111	Shanai	119	Reverse Cymbal	127	Gunshot

Rhythm	Rythmes	Rhythm	Ritmo	Ritmos	リズムテーブル
--------	---------	--------	-------	--------	---------

0	7_8	21	DanceRock	42	JazzDance	63	Samba
1	8Beat	22	DancyPop	43	JazzFunk	64	Shuffle
2	16Beat	23	DeepHappy	44	JazzRap	65	SlowBeat
3	80sPop	24	Disco	45	LazyPop	66	SlowPop
4	90sDance	25	Dixie	46	March	67	SlowRock
5	Acid	26	Drum_Bass	47	Polka	68	Smooch
6	African	27	EasyBeat	48	Pop	69	SoBas
7	AfroPop	28	EasyRock	49	Pop_Rock	70	Soca
8	70sDisco1_E	29	EuroSong	50	PopBallad	71	SoulBeat
9	Balla_B	30	FastFunk	51	PopBossa	72	Standard
10	Beguine	31	Folk	52	PopDisco	73	Swing
11	Big_Band	32	Funk	53	Popeuro	74	Tango
12	Blues	33	Fusion	54	Power_Pop	75	TecnoPop
13	Bossa_Nova	34	Geloun	55	R&B	76	TeenyPop
14	Break_Beat	35	GlamRock	56	R&B_Ballad	77	TetJazz
15	CaSo	36	GothDance	57	RealSoul	78	Trot
16	Cha-Cha	37	Grunge	58	Reggae	79	Trycoun
17	Chinadance	38	Guinebe	59	ReggaeSoul	80	Uban
18	CntrRock	39	HappyPop	60	Rock&Roll	81	UesBI
19	CoolSoul	40	Hard Rock	61	RockBeat	82	Waltzer
20	Dancekik	41	HipHop	62	Salsa		



Changes or modifications not expressly approved by the party responsible for compliance could void the user's authority to operate the equipment.

NOTE: This equipment has been tested and found to comply with the limits for a Class B digital device, pursuant to Part 15 of the FCC Rules. These limits are designed to provide reasonable protection against harmful interference in a residential installation. This equipment generates uses and can radiate radio frequency energy and, if not installed and used in accordance with the instructions, may cause harmful interference to radio communications. However, there is no guarantee that interference will not occur in a particular installation. If this equipment does cause harmful interference to radio or television reception, which can be determined by turning the equipment off and on, the user is encouraged to try to correct the interference by one or more of the following measures:

- Reorient or relocate the receiving antenna.
- Increase the separation between the equipment and receiver.
- Connect the equipment into an outlet on a circuit different from that to which the receiver is connected.
- Consult the dealer or an experienced radio/TV technician for help.



This symbol means the product must not be discarded as household waste, and should be delivered to an appropriate collection facility for recycling. Proper disposal and recycling helps protect natural resources, human health and environment. For more information on disposal and recycling of this product, contact your local municipality, disposal service, or shop where you bought this product.





**DIGITAL PIANO**

**Model:** DDP-60

**Website:** www.donnermusic.com

**E-mail:** service@donnermusic.com

**Manufacturer:** GUANGZHOU RANTION TECHNOLOGY CO., LTD.

**Address:** Room 7002 and 7003, 7th Floor, Digital Entertainment Industrial Park, Greater Bay Area, No.28 Huangpu Park West Road, Huangpu District, Guangzhou, China.

Copyright © 2023 Donner LLC. All rights reserved.

	SERVICE LANGUAGE <b>ENGLISH</b>	<b>UNITED STATES</b> Tel: 001 571 3705977	<b>CANADA</b> Tel: 001 613 4168166	<b>UNITED KINGDOM</b> Tel: 0044 2080 895 663	<b>AUSTRALIA</b> Tel: 0061 384004871
--	------------------------------------	--	---------------------------------------	---	---

Get in touch with our customer service at local time (hotline hours are listed on the Donner official website)

**UK REP** Information for UK representatives  
OST\_UK\_20230608000003

**Name:** GOAL REACH CONSULTING LTD      **E-mail:** goalservice@hotmail.com  
**Add.:** Office 1029 3 Hardman Street 10th Floor, Spinningfields Manchester, UK M3 3hf

**EU REP** Information for EU representatives  
OST\_EU\_20230619000005

**Name:** SUCCESS COURIER SL      **E-mail:** successservice2@hotmail.com  
**Add.:** Calle Rio Tormes Num.1, planta 1, Derecha, Oficina 3, Fuenlabrada, madrid, 28947 Spain



Made in China

Rev 02 202307