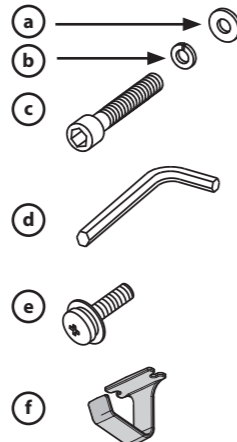
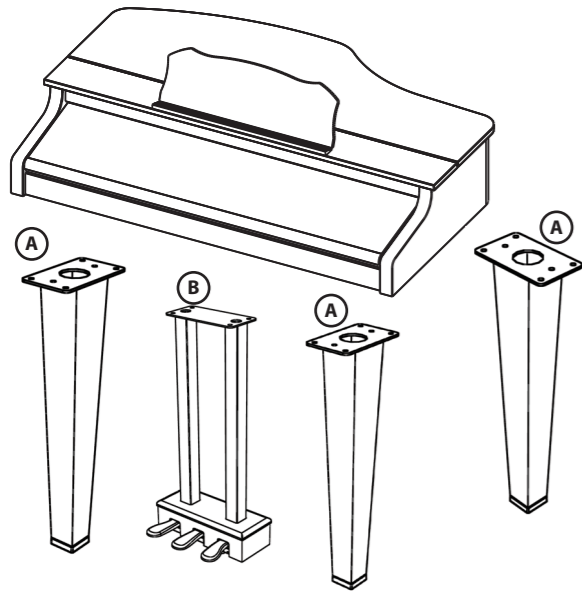


- To assure that assembly is carried out properly, make sure to read these instructions before you begin the assembly. Please keep these instructions close at hand, so you can refer to them whenever you need.
- This leaflet is for a dealer or a qualified professional installer. The customer should not attempt to move or assemble the instrument.
- Please consult your Roland dealer to move or assemble the piano. Roland cannot warrant the safety of the assemble operation, if this operation is carried out by the customer.
- Since this product is very heavy, you must make sure that a sufficient number of people are on hand to help, so you can lift and move it safely, without causing strain. When assembling the unit, obtain the assistance of enough people that assembly can be performed safely and as directed.
- To move the piano, lift it carefully—all the while keeping it level.
- Be careful not to pinch your hands or drop this unit on your foot during assembly or transport.
- Make sure to keep screws and any other small parts in a safe location that is out of the reach of small children, so such small parts won't accidentally get swallowed.
- Screws and bolts must first be hand-tightened provisionally, and then tightened firmly. To hand-tighten a screw or bolt, screw it in until half of it is visible. Do not use an electric screwdriver to provisionally tighten or firmly tighten a screw or bolt. Doing so risks stripping the head or threads of the screw or bolt.



- * The screwdriver needed to perform the assembly is not supplied. You'll need to have ready a Phillips screwdriver that matches the size of the screws.
- * After firmly tightening all the screws, place the unit at a location that is level and sure to remain stable. The unit must never be placed on top of deep-pile carpet. Otherwise, you risk causing damage to the pedals due to instability and unnecessary movement.
- * The surface of the piano unit and the stand are very delicate; handle with care to avoid scratching them.
- * Do not place the piano unit directly on the floor. Doing so will damage the bottom panel case and the connectors and holders on the bottom of the piano.

Parts Check



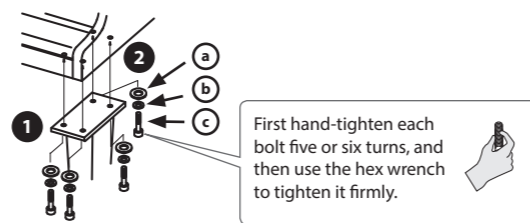
(A)	Legs	3
(B)	Lyre assembly	1
(a)	Plain washers	16
(b)	Spring washers	16
(c)	Hex socket head cap bolts (M8 x 30)	16
(d)	Hex wrench	1
(e)	Screws (M4 x 16)	2
(f)	Headphone Hook	1

Assembly Procedure

Attach the Legs to the Piano

- Position the legs (A) in place beneath the piano.
- Place a spring washer (b) and a plain washer (a) in that order onto each hex socket head cap bolt (c). Use the hex wrench (d) to fasten the leg (A) to the piano (at four points) with the bolts (c).

* Do not tighten bolts (c) excessively. Stop tightening when the spring washer (b) becomes flat.

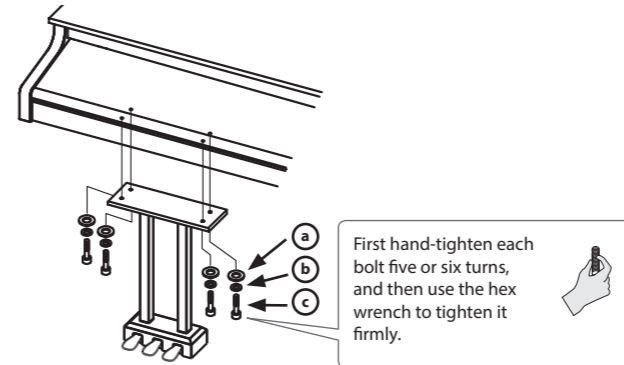


- Fasten the two other legs (A) to the piano in the same fashion.

Attach the Lyre Assembly

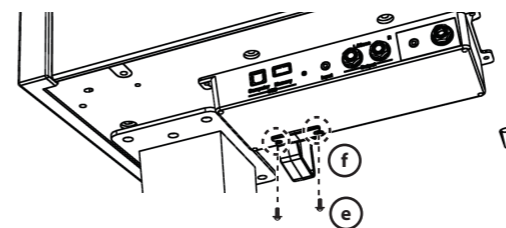
- Place a spring washer (b) and a plain washer (a) in that order onto each hex socket head cap bolt (c). Use the hex wrench (d) to fasten the lyre assembly (B) to the piano (at four points) with the bolts (c).

* Do not tighten bolts (c) excessively. Stop tightening when the spring washer (b) becomes flat.

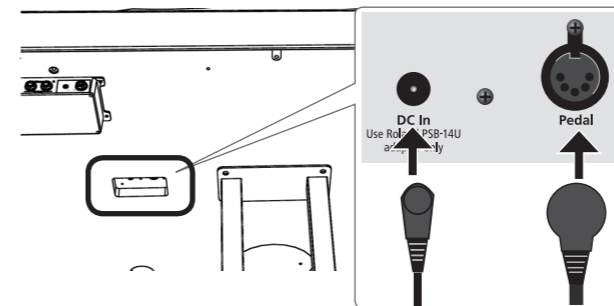


Attach the Other Parts

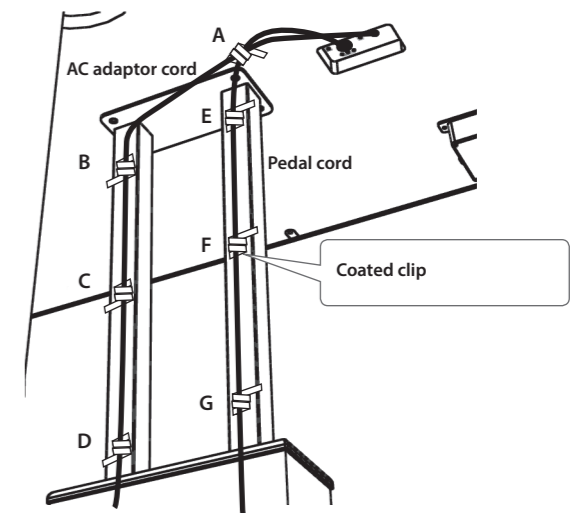
- Use two screws (e) to fasten the headphone hook (f).



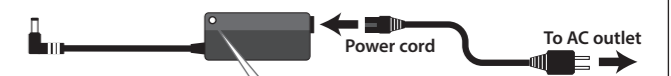
- Connect the AC adaptor to the DC In jack on the bottom of the piano, and connect the pedal cord to the Pedal connector.



- As shown in the illustration, use the coated clip at location A to fasten the AC adaptor cord and the pedal cord. Then use the coated clips at B, C, and D to fasten the AC adaptor cord. And use the coated clips at E, F, and G to fasten the pedal cord.



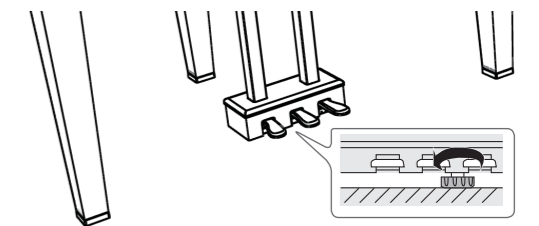
- Connect the supplied AC adaptor and power cord, and plug the power cord into an AC outlet.



Place the AC adaptor so the side with the indicator faces upwards and the side with textual information faces downwards. The indicator will light when you plug the AC adaptor into an AC outlet.

- Adjust the Adjuster.

Turn the adjuster to lower it until the adjuster is in firm contact with the floor. In particular, when you've placed the piano on carpet, you must turn the adjuster until it is pressing firmly against the floor.



* The pedal may be damaged if there is a gap between the adjuster and the floor.

When Moving the Piano

Before moving the unit, close the lid and the top, and fold down the music rest. Next disconnect the AC adaptor and raise the pedal adjuster. With the help of enough people to carry the unit safely, lift the unit in a horizontal position and carry it while taking care not to drop it on anyone's foot.

